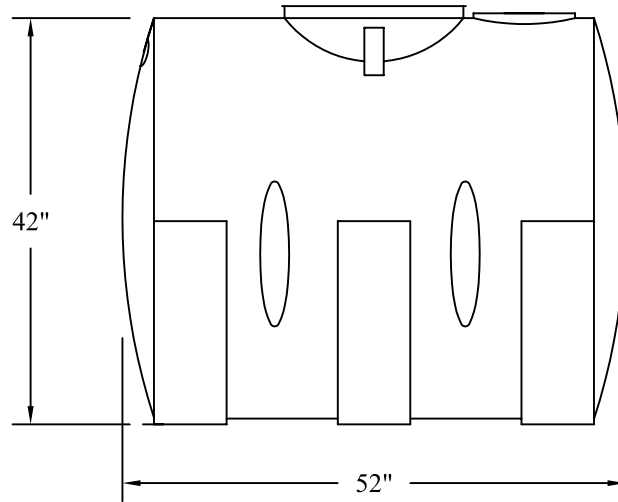


MODEL RKP230, HDLPE POLYETHYLENE PUMP CHAMBER

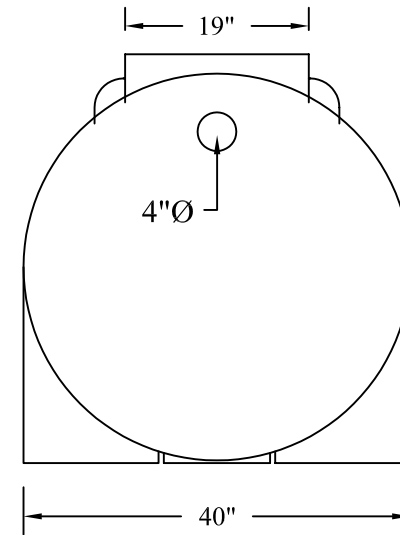
CAPACITY:

Imp. Gal.= 230
 US. Gal.= 275
 Liters = 1046

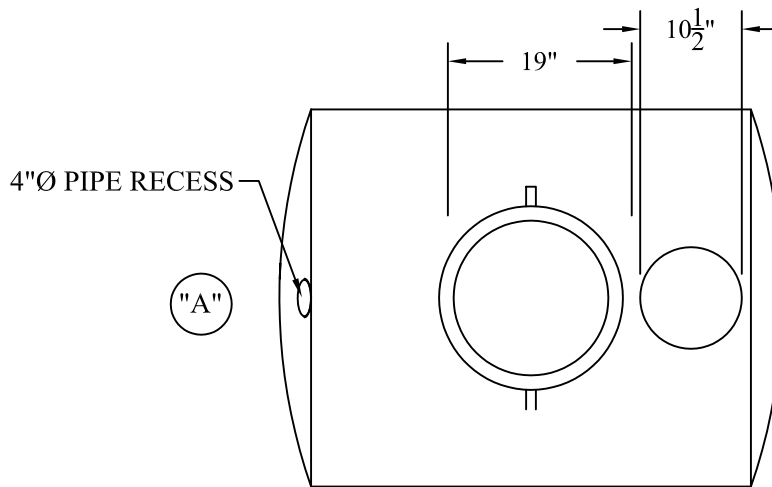
Shipping Weight = 100 Lbs.



SIDE ELEVATION



END ELEVATION "A"



PLAN VIEW



**Canwest Tanks &
 Ecological Systems Ltd.**

11975 Old Yale Road Tel.: (604) 580-3030
 Surrey, B.C. V3V 3X4 Fax: (604) 580-1171
 Canada E-Mail: canwest@direct.ca

This drawing is loaned "as is" for purpose of information only and is the sole property of Canwest Tanks & Ecological Systems Ltd.

HDLPE POLYETHYLENE
 TANK / PUMP CHAMBER
 MODEL RKP230

Dwg. No.		Drawn:	of
		Leif J.	
Scale:	Date:	Rev.	
N.T.S.			