

POLYETHYLENE HDLPE STORAGE TANK

MODEL No. RK600

CAPACITY:

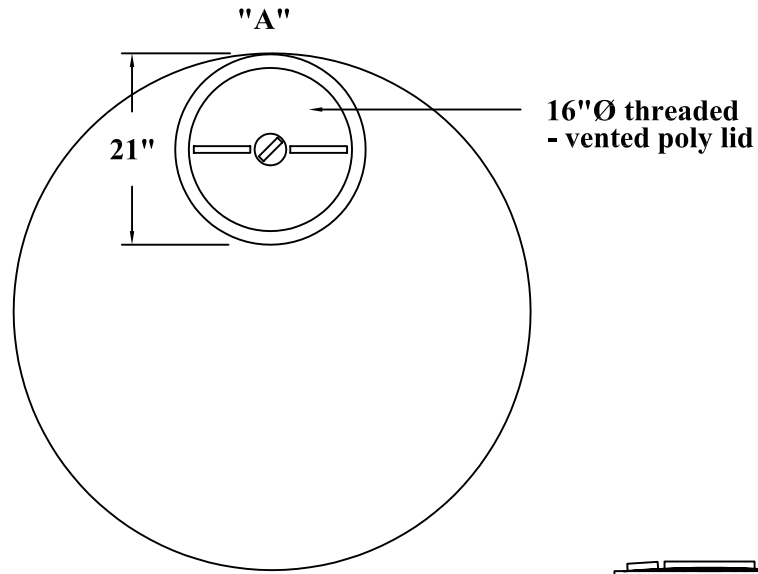
Imp.Gal. = 600

US.Gal. = 720

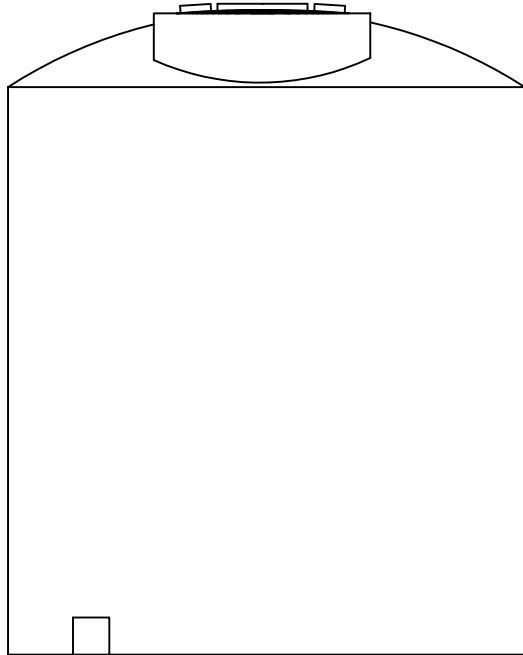
Liters. = 2727

NOTE:

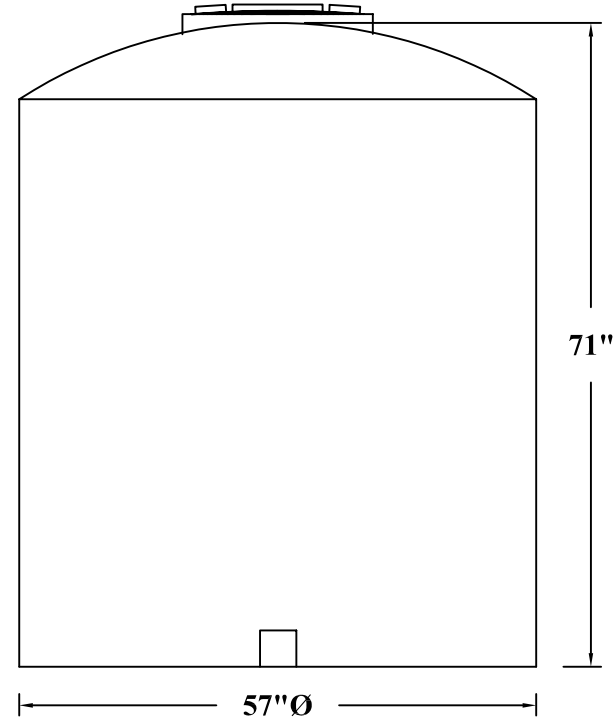
**FITTINGS TO BE PLACED AS
AS REQUIRED**



**"B"
PLAN VIEW**



ELEVATION VIEW "A"



ELEVATION VIEW "B"



**Canwest Tanks &
Ecological Systems Ltd.**

11975 Old Yale Road Tel.: (604) 580-3030
Surrey, B.C. V3V 3X4 Fax: (604) 580-1171
Canada E-Mail: canwest@direct.ca

This drawing is loaned "as is" for purpose of information only and is the sole property of Canwest Tanks & Ecological Systems Ltd.

**HDLPE POLYETHYLENE
STORAGE TANK
MODEL No. RK600**

Dwg. No.

Scale:
N.T.S.

Date:

Drawn:
Leif J.
Rev.