

HDLPE POLYETHYLENE HORIZONTAL LEG TANK

MODEL No. RKL1000

CAPACITY:

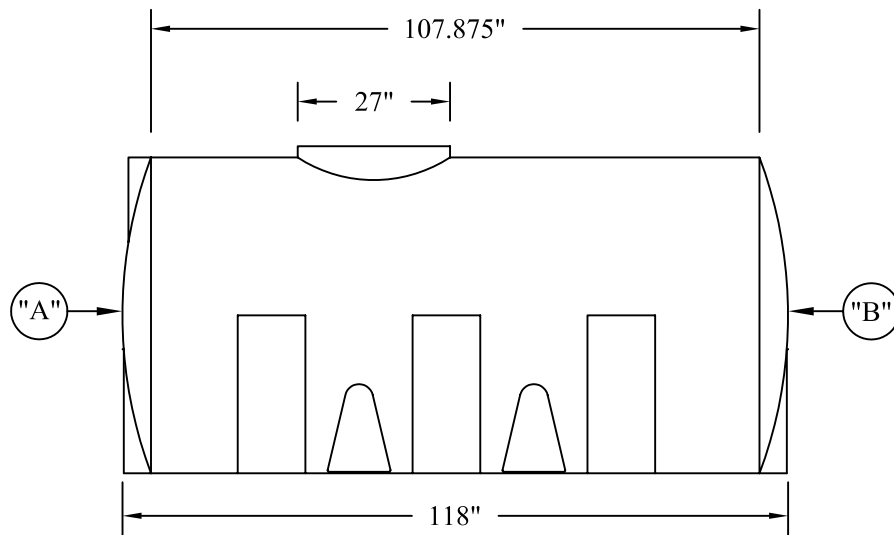
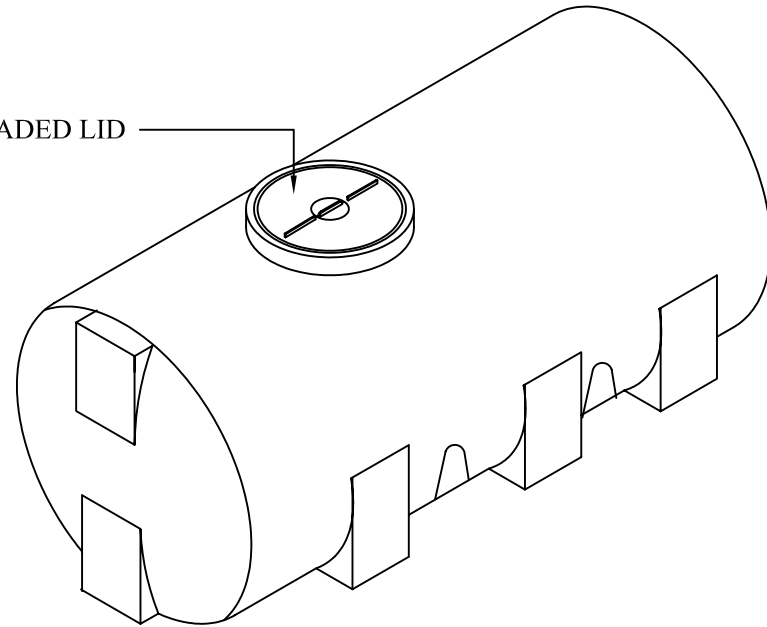
IMP. GAL.= 1,000

US.GAL.= 1,200

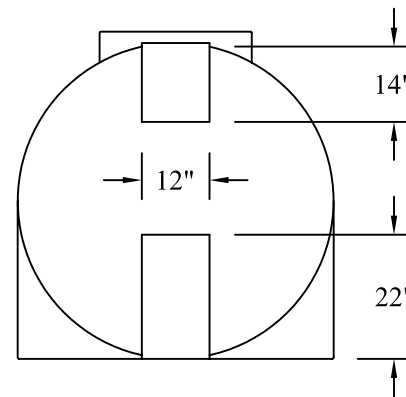
LITRES.= 4,546

Shipping Weight - 400 lbs.

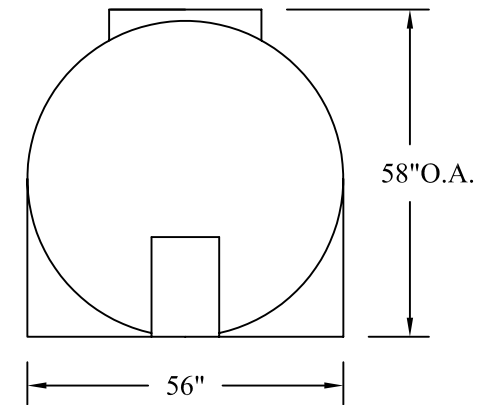
THREADED LID



SIDE VIEW



END VIEW "A"




END VIEW "B"

NOTE:

FITTINGS TO BE SPECIFIED

SIZE, ELEVATION & ORIENTATION

	Canwest Tanks & Ecological Systems Ltd.	
	11975 Old Yale Road Surrey, B.C. V3V 3X4 Canada	Tel.: (604) 580-3030 Fax: (604) 580-1171 E-Mail: canwest@direct.ca
This drawing is loaned "as is" for purpose of information only and is the sole property of Canwest Tanks & Ecological Systems Ltd.		

HDLPE POLYETHYLENE
 STORAGE / LIQUID
 TRANSPORT TANK
MODEL No. RKL1000

Dwg. No.		Drawn:	of
		Leif J.	
Scale:	Date:	Rev.	
N.T.S.	MAR./05		