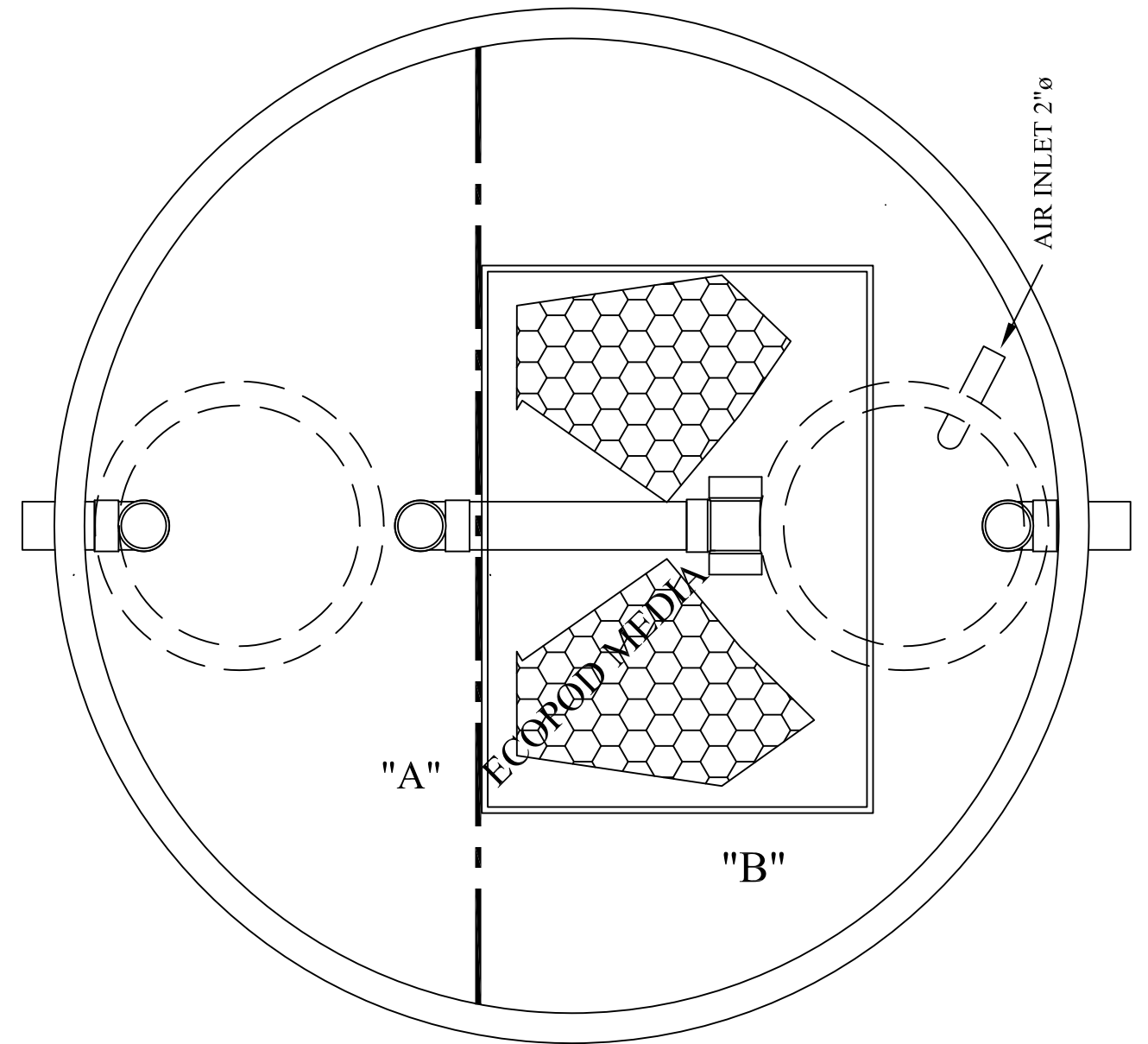



LEGEND:

A - TRASH TANK - 400 I.GALS

B - REACTOR CHAMBER - E60 - 600 US GALS / DAY



TOP VIEW LID OFF A-A

<p><u>TOTAL VOLUME</u> LITERS: I.GALS: <u>DIMENSIONS:</u> METRIC <input type="checkbox"/> IMP. <input type="checkbox"/> DIA. L. H.</p>		<p><u>PROJECT</u> ECOPOD E60-2- T2-COMPACT ECOPOD STP</p>	
<p><u>DRY WEIGHT:</u></p>		<p> CANWEST TANKS & ECOLOGICAL SYSTEMS LTD. www.canwest-tanks.com Tel: 604.580.3030</p>	
<p>DATE:</p>		<p>REV No.</p>	<p>SCALE:</p>
<p>DRAWN BY: L J</p>	<p>DWG REF.:</p>	<p>SHEET</p>	<p>OF</p>