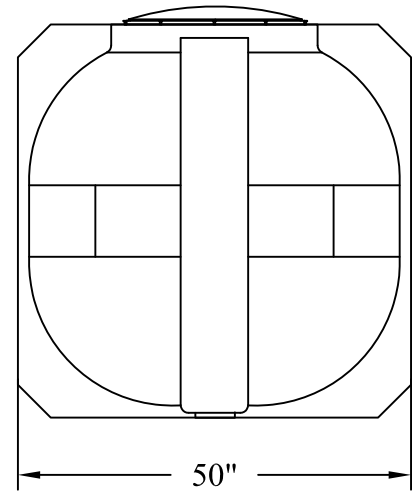
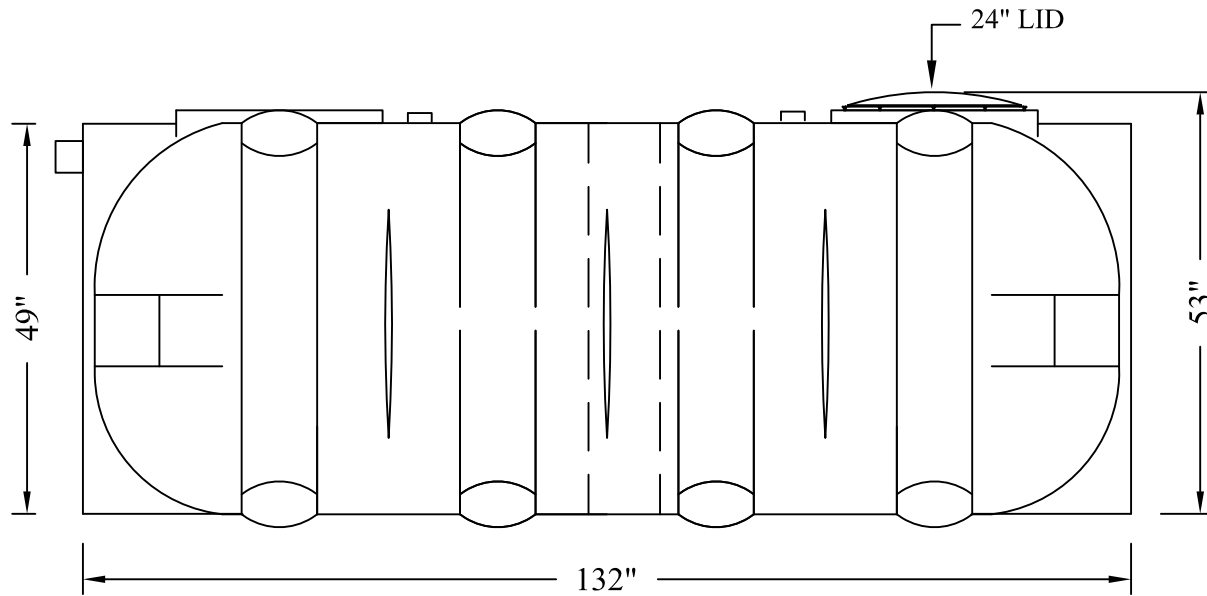


TOP VIEW




END VIEW



ELEVATION VIEW

MODEL No. RKP1000
 VOL. CAP. - 1,000 IGALS
 1,200 USGALS
 4,546 LITERS

NOTES:	<u>PROJECT</u>			
	MODEL No. RKP1000 UNDER GROUND PUMP CHAMBER			
TOTAL VOLUME LITERS:				
IGALS:				
LENGTH METRIC (mm):		CANWEST TANKS & ECOLOGICAL SYSTEMS LTD. www.canwest-tanks.com		
IMPERIAL:				
DATE:	REV No.	SCALE:	SHEET OF	DWG REF.
DRAWN BY: L J				