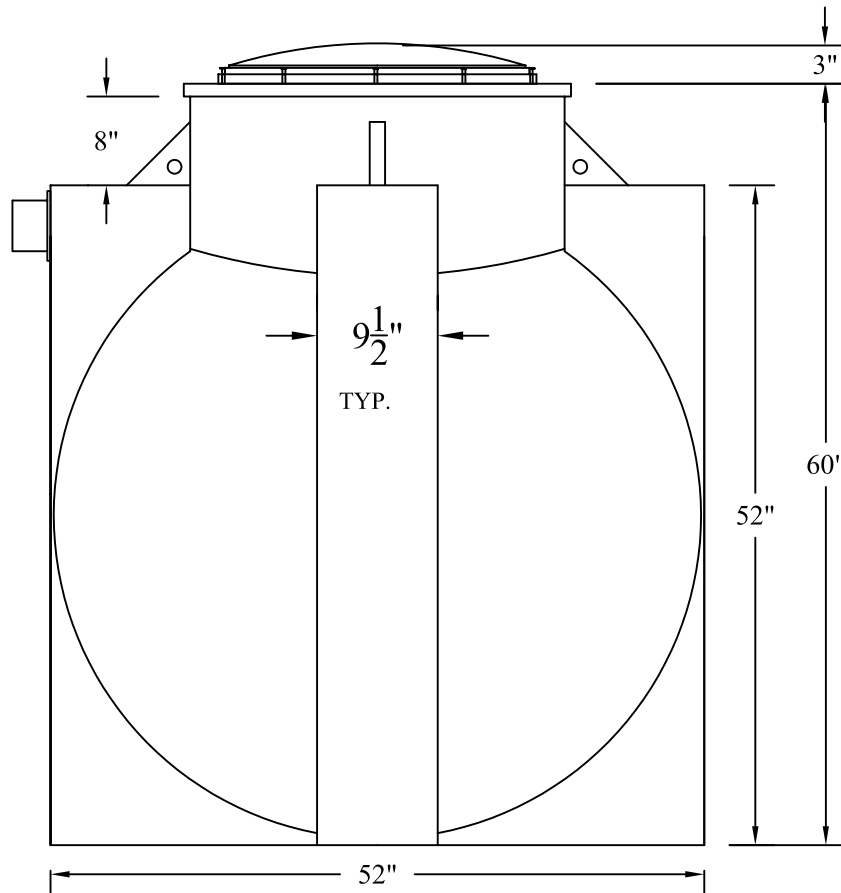
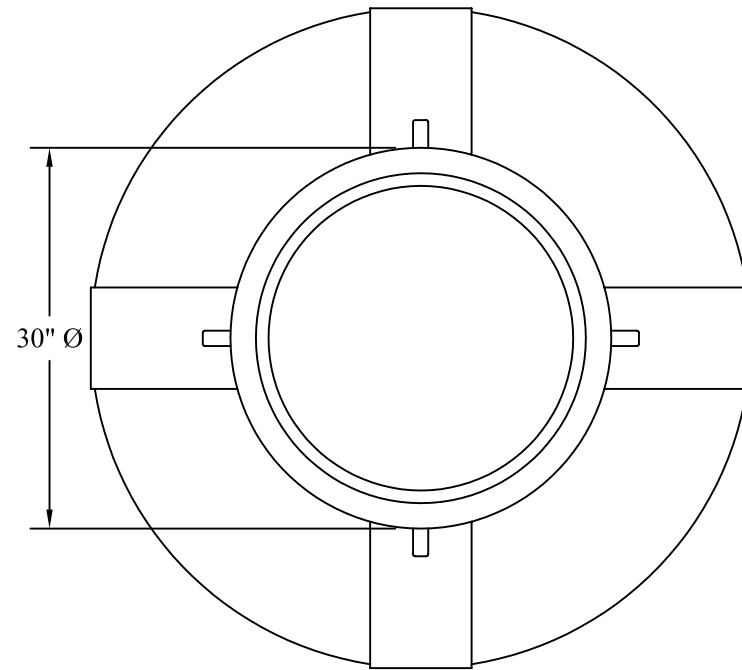


HDPLE POLYETHYLENE PUMP CHAMBER
 MODEL No. RKP300



ELEVATION VIEW
 N.T.S.



TOP VIEW

NOTES:

1. THIS TANK CAN BE BURIED UP 2 FT. EARTH COVER
2. FITTINGS:
 SIZE, ORIENTATION & ELEVATIONS
 TO SPECIFIED BY CUSTOMER

CAPACITY

IMP.GAL. = 300
 U.S.GAL. = 360
 LITER. = 1364
 WEIGHT = 120 LB.



**Canwest Tanks &
 Ecological Systems Ltd.**

11975 Old Yale Road Tel.: (604) 580-3030
 Surrey, B.C. V3V 3X4 Fax: (604) 580-1171
 Canada E-Mail: canwest@direct.ca

This drawing is loaned "as is" for purpose of information only and is the sole property of Canwest Tanks & Ecological Systems Ltd.

HDPLE POLYETHYLENE
 PUMP CHAMBER
 MODEL No. RKP300

Dwg. No.

Drawn:

Leif J.

Scale:

Date:

Rev.

N.T.S.

Sept./06

of