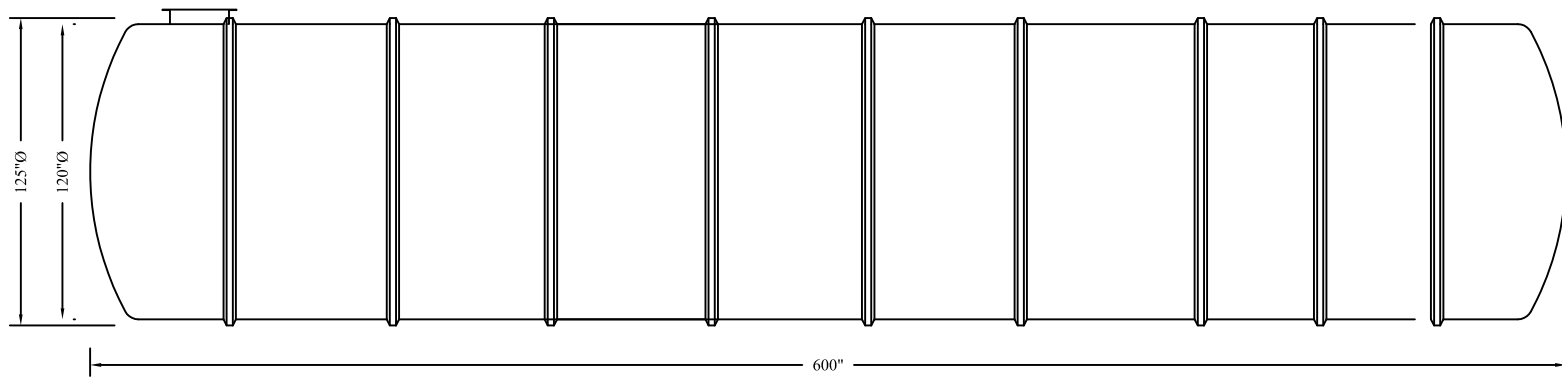
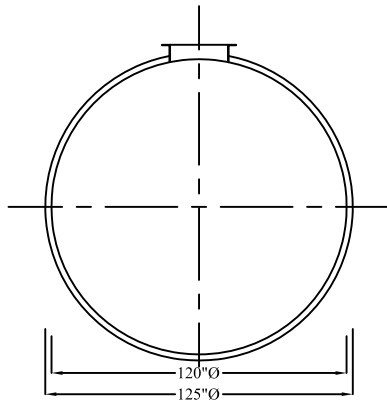


PLAN VIEW



ELEVATION




END VIEW

FILAMENT WOUND FIBERGLASS TANK OPTIONS:

1. ABOVE OR BELOW GROUND INSTALLATION
2. POTABLE OR NON POTABLE WATER
3. FIRE PROTECTION
4. SEWAGE HOLDING OR SEPTIC TANK
5. HOLD-DOWN STRAPS FOR WATER TABLE CONDITIONS
6. SIZE OF MANWAY - TO SUIT APPLICATION
7. FITTINGS - FLANGED FRP
8. HEAT TRACE & INSULATION

MODEL No. FRP24000-10H
 TOT. CAP. - 24,000 gals
 109,104 liters

NOTES:	PROJECT			
TOTAL VOLUME				
LITERS:				
LGALS:				
LENGTH	 CANWEST TANKS & ECOLOGICAL SYSTEMS LTD. www.canwest-tanks.com			
METRIC (mm):				
IMPERIAL (Ft.):				
DATE:	REV No.	SCALE:	SHEET OF	DWG REF.
DRAWN BY: L J				