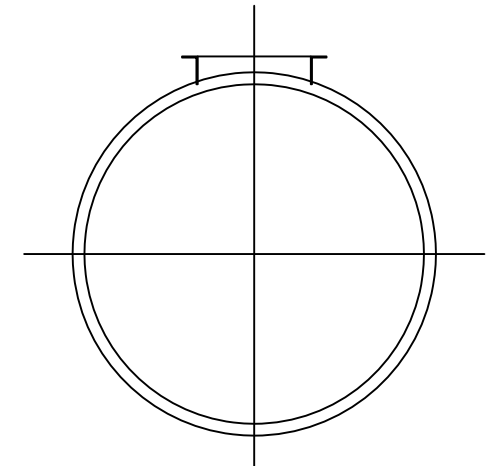
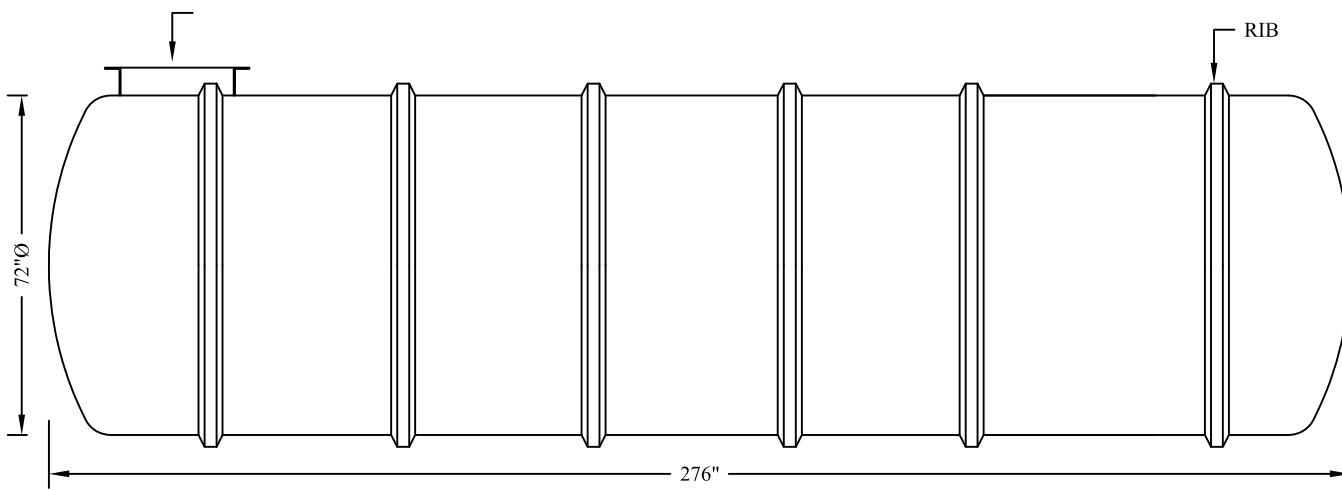


TOP VIEW




END VIEW



ELEVATION VIEW

MODEL FRP4,000-6H
 FILAMENT WOUND FIBERGLASS TANK
 VOL. CAP. 4,000 L.GALS
 4,800 US GALS
 18,1884 LITERS

NOTES:	<u>PROJECT</u>			
TOTAL VOLUME	 CANWEST TANKS & ECOLOGICAL SYSTEMS LTD. www.canwest-tanks.com			
LITERS:				
L.GALS:				
LENGTH	REV No.	SCALE:	SHEET	OF
METRIC (mm):				
IMPERIAL:				
DATE:				DWG REF.
DRAWN BY:				
L J				