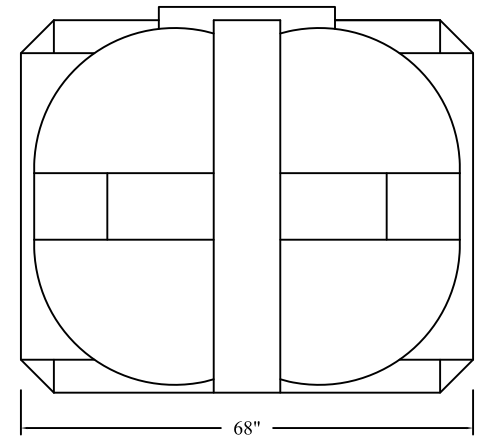
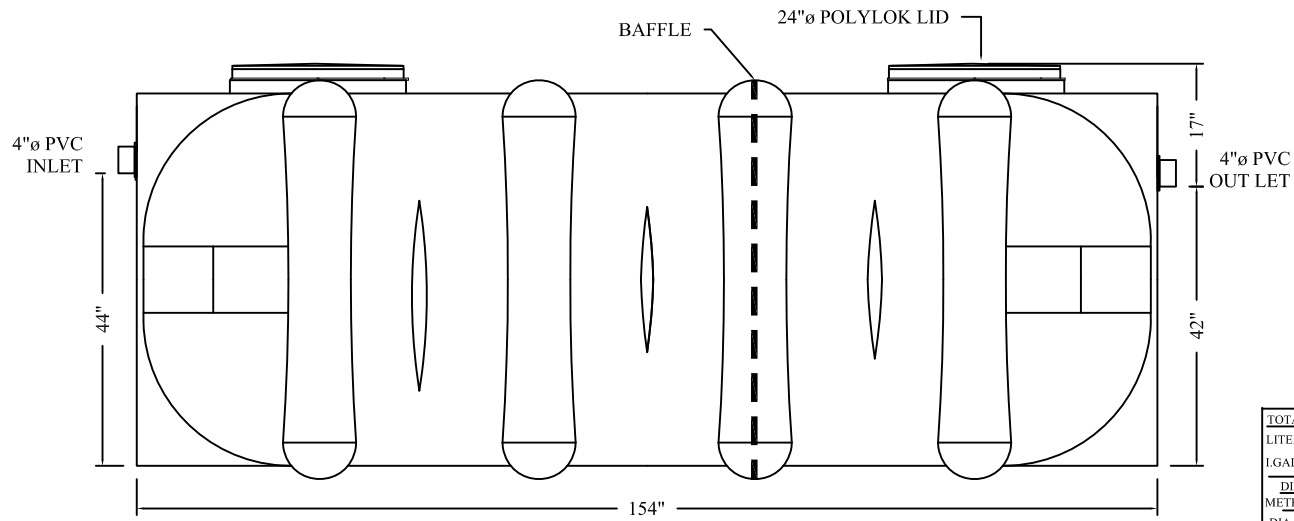


TOP VIEW



END VIEW



SIDE VIEW

MODEL No. RKS1250LP/2
 VOL. CAP. - 1,250 IGALS
 1,500USGALS
 5,682 LITERS

TOTAL VOLUME		PROJECT	
LITERS:		MODEL No. RKS1250LP/2 TWO CHAMBER SEPTIC TANK	
IGALS:			
DIMENSIONS:			
METRIC <input type="checkbox"/> IMP. <input type="checkbox"/>			
DATE:		CANWEST TANKS & ECOLOGICAL SYSTEMS LTD.	
DRAWN BY: L J		www.canwest-tanks.com Tel: 604.580.3030	
REV No.	SCALE:	DWG REF.:	SHEET OF