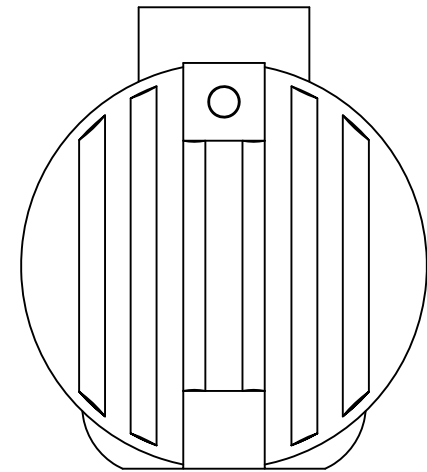


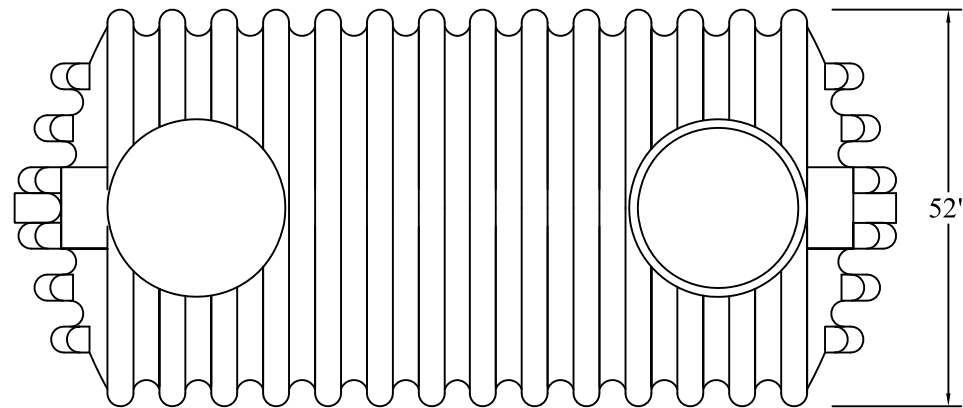
SIDE VIEW



END VIEW

Note:

Fittings to be specified; material, elevation, & orientation,



TOP VIEW

BURIAL DEPTH IS 2' EARTH COVER
INSTALLATION INSTRUCTIONS MUST BE FOLLOWED

Total Capacity

| | |
|----------|-------|
| Imp.Gal. | 900 |
| U.S.Gal. | 1,080 |
| Liters | 4,091 |

Canwest Tanks & Ecological Systems Ltd.

11975 Old Yale Road
Surrey, B.C.V3V 3X4
Canada



Tel:604.580.3030
Fax:604.580.1171
Email:canwest@direct.ca

DESCRIPTION:

MODEL RKP900
PUMP CHAMBER

CLIENT:

PROJECT:

DWG No.

| SCALE | ISSUE | D/M/Y | DWN BY: | REV. | SHEET: |
|-------|-------|-------|---------|------|--------|
| | | | LEIF J. | | |