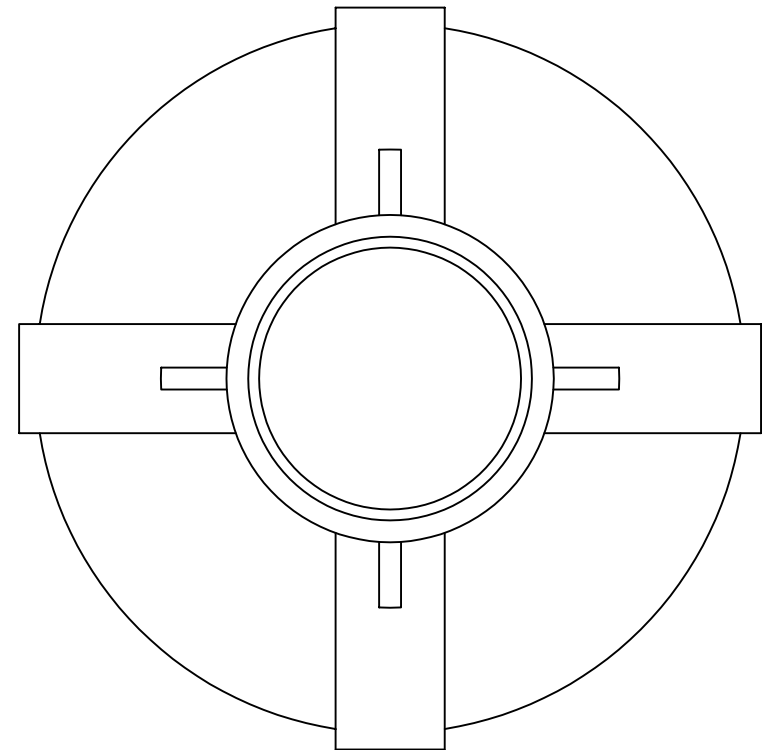
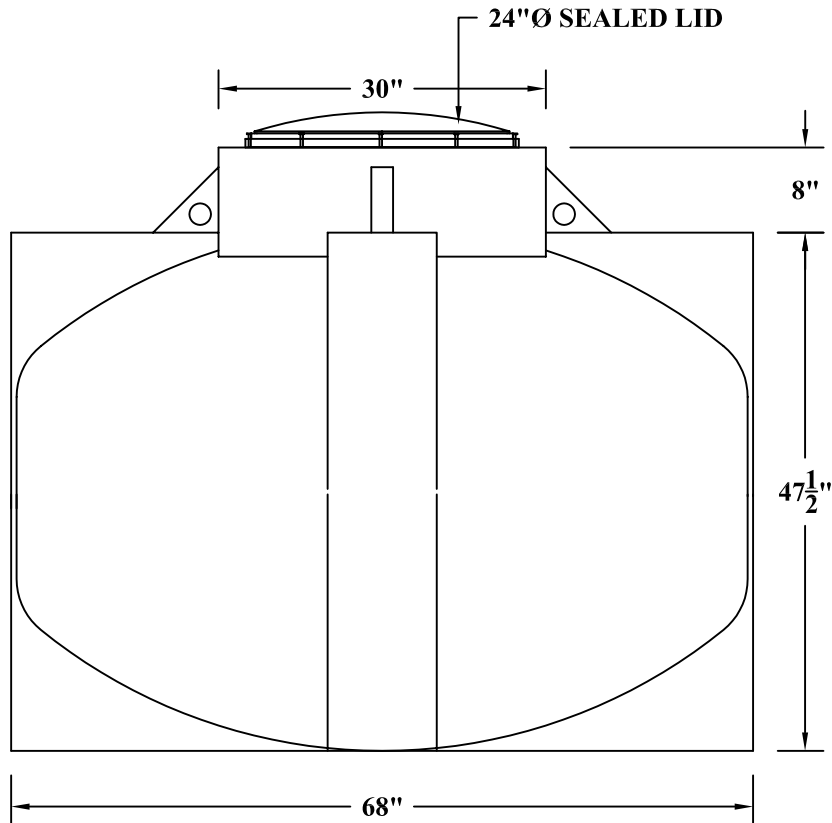


**HDPLE POLYETHYLENE U.G. CHAMBER**

**MODEL No. RKC500**



**NOTE:**

**FITTINGS TO BE SPECIFIED**

**INDICATING - SIZE, ELEVATION & ORIENTATION.**

**CAPACITY**

**IMP.GAL. = 500**

**U.S.GAL. = 600**

**LTR. = 2,273**



**Canwest Tanks &  
Ecological Systems Ltd.**

11975 Old Yale Road Tel.: (604) 580-3030  
Surrey, B.C. V3V 3X4 Fax: (604) 580-1171  
Canada E-Mail: canwest@direct.ca

This drawing is loaned "as is" for purpose of information only and is the sole property of Canwest Tanks & Ecological Systems Ltd.

**Model No. RKC500**

**500 I gals U.G. CISTERN/  
PUMP CHAMBER**

**Dwg. No.**

**Scale:**

**Date:**

**Drawn:  
Leif J.**

**Rev.**

**10**