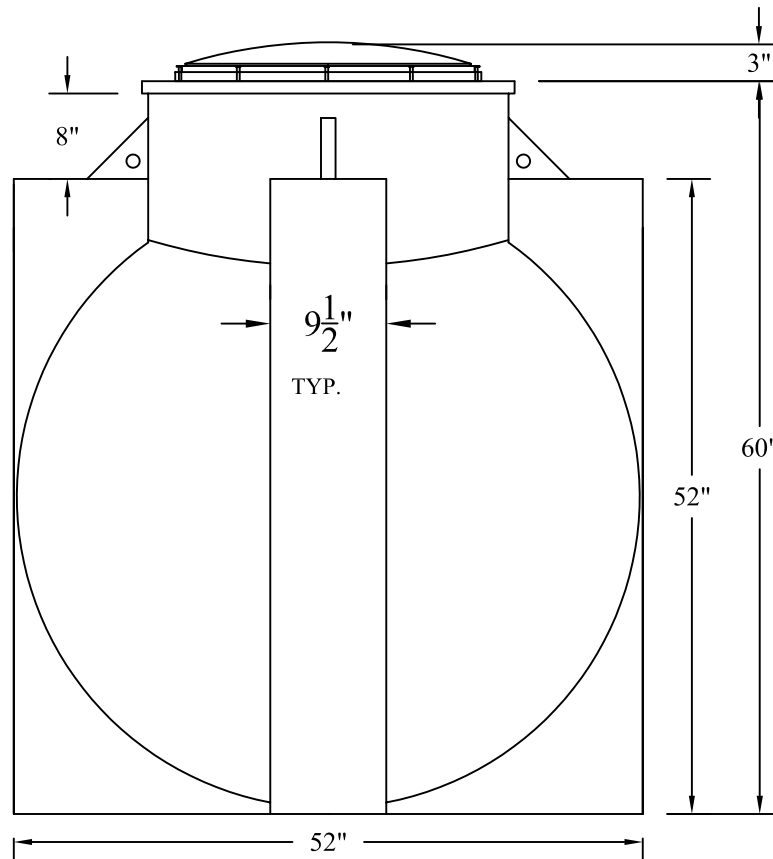
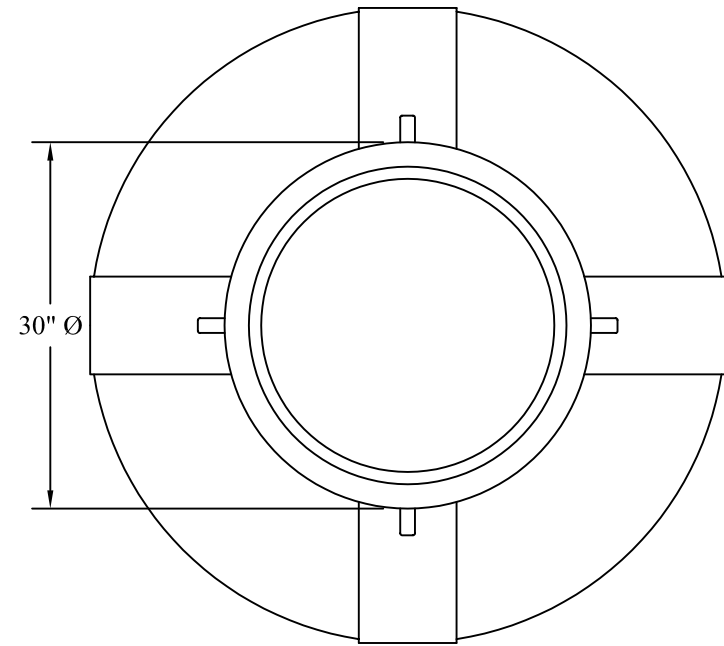


HDPLE POLYETHYLENE PUMP CHAMBER
MODEL No. RKC300



ELEVATION VIEW
 N.T.S.



TOP VIEW

NOTES:

1. THIS TANK CAN BE BURIED UP 2 FT. EARTH COVER
2. FITTINGS:
 SIZE, ORIENTATION & ELEVATIONS
 TO SPECIFIED BY CUSTOMER

CAPACITY
 IMP.GAL. = 300
 U.S.GAL. = 360
 LITER. = 1364
 WEIGHT = 120 LB.



**Canwest Tanks &
 Ecological Systems Ltd.**
 11975 Old Yale Road Tel.: (604) 580-3030
 Surrey, B.C. V3V 3X4 Fax: (604) 580-1171
 Canada E-Mail: canwest@direct.ca

This drawing is loaned "as is" for purpose of information only and
 is the sole property of Canwest Tanks & Ecological Systems Ltd.

HDPLE POLYETHYLENE
 U.G. Cistern
 MODEL No. RKC300

Dwg. No.		Drawn: Leif J.	
Scale: N.T.S.	Date: Sept../06	Rev.	of