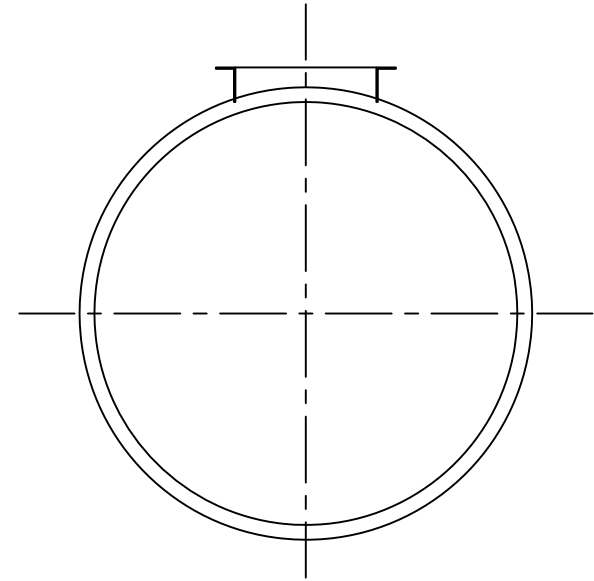
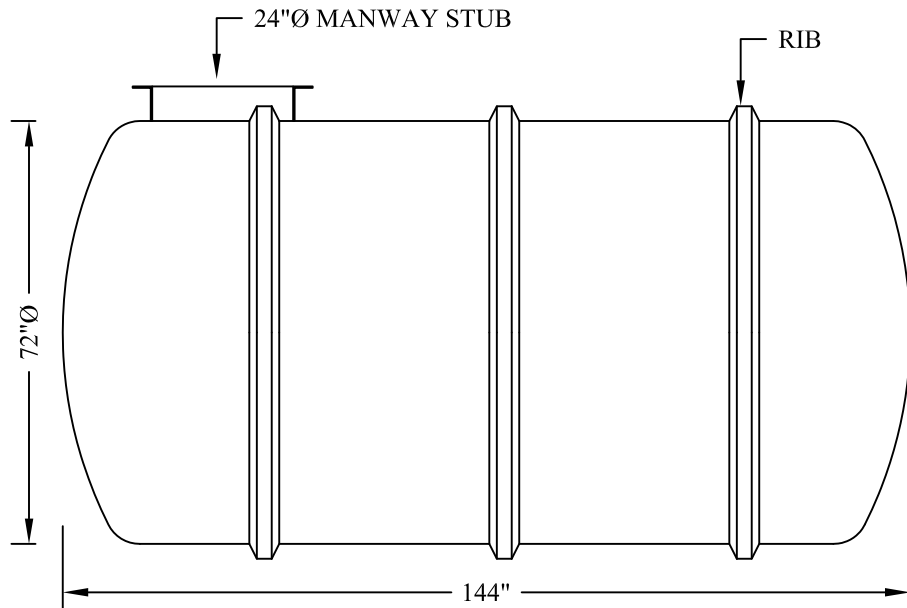


TOP VIEW




END VIEW



ELEVATION VIEW

MODEL FRP2000-6H
 FILAMENT WOUND FIRBERGLASS TANK
 VOL. CAP. 2,000 I.GALS
 2,400 US GALS
 9,092 LITERS

NOTES:	<u>PROJECT</u>		
TOTAL VOLUME LITERS: I.GALS:			
LENGHT METRIC (mm): IMPERIAL:	 CANWEST TANKS & ECOLOGICAL SYSTEMS LTD. www.canwest-tanks.com		
DATE:	REV No.	SCALE:	DWG REF.
DRAWN BY: L J			SHEET OF