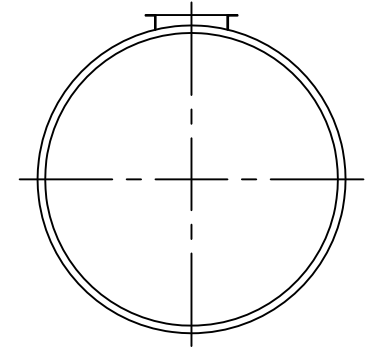
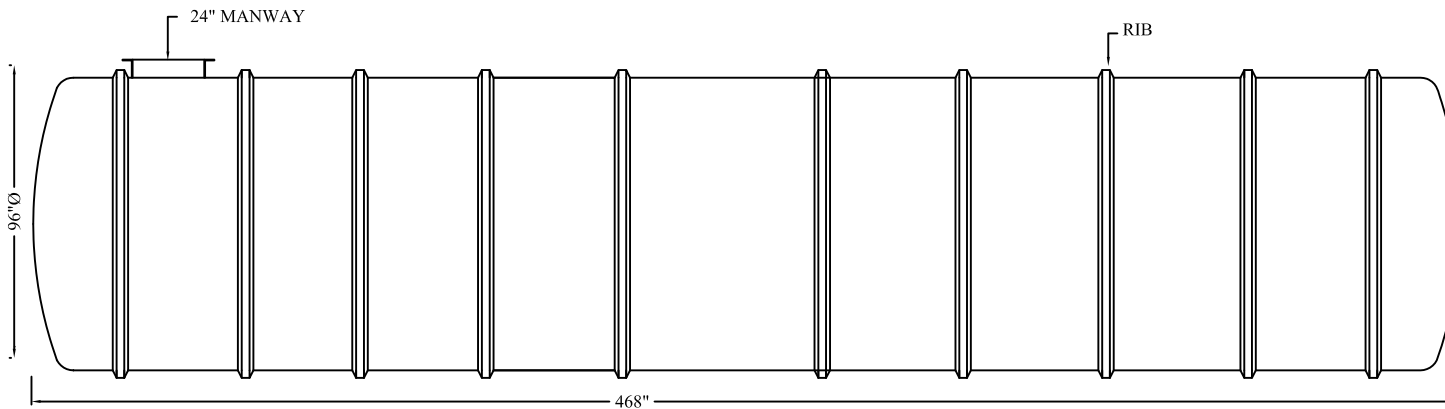


TOP VIEW



END VIEW



ELEVATION VIEW

MODEL FRP12000-8H
 FILAMENT WOUND
 FIBERGLASS TANK
 VOL. CAP. 12,000 I.GALS
 14,400 US GALS
 54,552 LITERS

NOTES:	<u>PROJECT</u>			
TOTAL VOLUME LITERS: I.GALS:				
LENGTH METRIC (mm): IMPERIAL:				
DATE: DRAWN BY: L J	REV No.	SCALE:	SHEET OF	DWG REF.



**CANWEST TANKS &
 ECOLOGICAL SYSTEMS LTD.**
 www.canwest-tanks.com