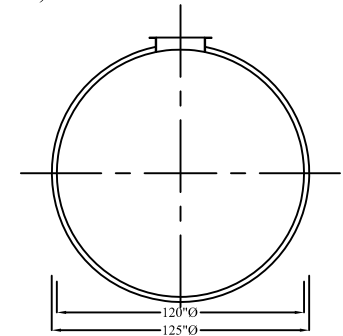
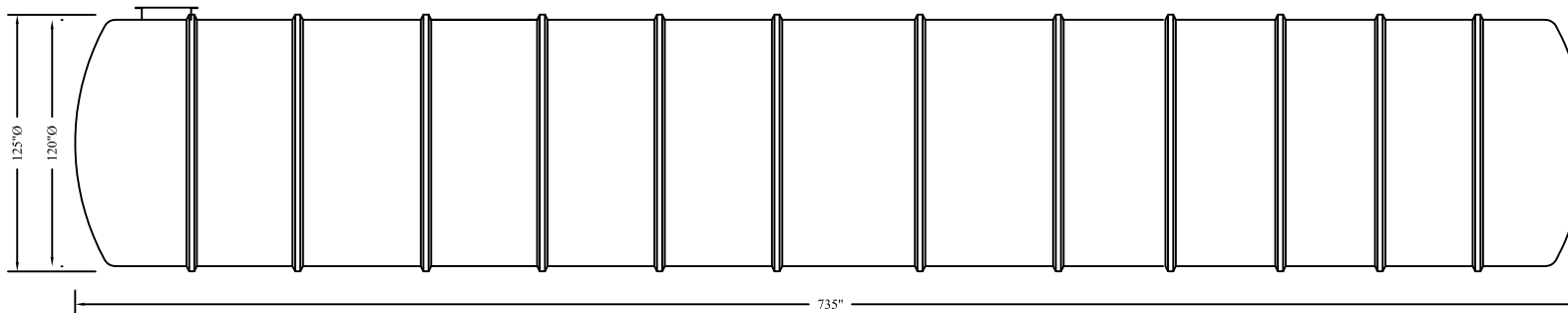


PLAN VIEW

RIB STRUCTURE (TYP.)



END VIEW




ELEVATION

MODEL No. FRP30000-10H
 TOT. CAP. - 30,000 gals
 136,380 Liters

FILAMENT WOUND FIBERGLASS TANK OPTIONS:

1. ABOVE OR BELOW GROUND INSTALLATION
2. POTABLE OR NON POTABLE WATER
3. FIRE PROTECTION
4. SEWAGE HOLDING OR SEPTIC TANK
5. HOLD-DOWN STRAPS FOR WATER TABLE CONDITIONS
6. SIZE OF MANWAY - TO SUIT APPLICATION
7. FITTINGS - FLANGED FRP
8. HEAT TRACE & INSULATION

| | | | | |
|-----------------|--|--------|-------|----------|
| NOTES: | <u>PROJECT</u> | | | |
| | FRP30000-10H | | | |
| TOTAL VOLUME |  CANWEST TANKS & ECOLOGICAL SYSTEMS LTD. www.canwest-tanks.com | | | |
| LITERS: | | | | |
| LGALS: | | | | |
| LENGTH | REV No. | SCALE: | SHEET | OF |
| METRIC (mm): | | | | |
| IMPERIAL (Ft.): | | | | |
| DATE: | | | | DWG REF. |
| DRAWN BY: | | | | |
| L J | | | | |