

HDLPE Polyethylene Above Ground Storage Tank

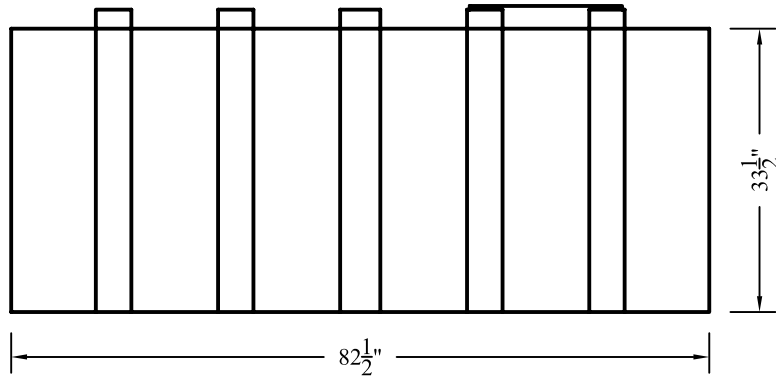
Model RKW500

CAPACITY:

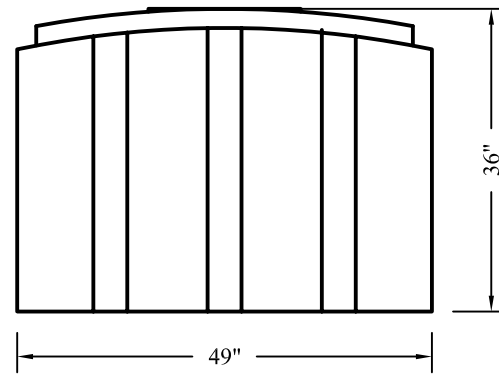
IMP. GAL. - 500

U.S. GAL. - 600

LITERS - 2,273

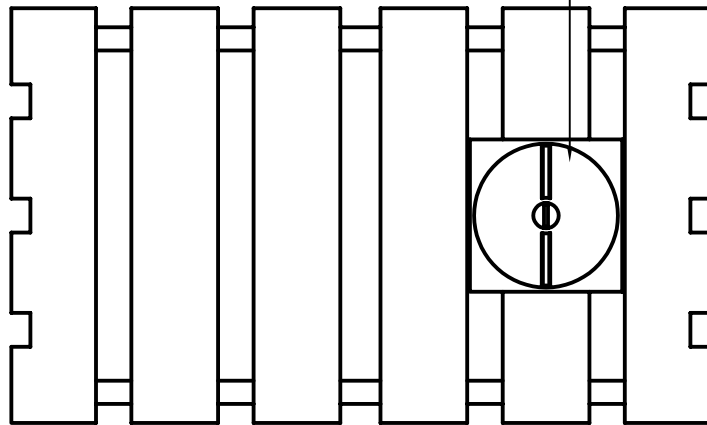


SIDE VIEW

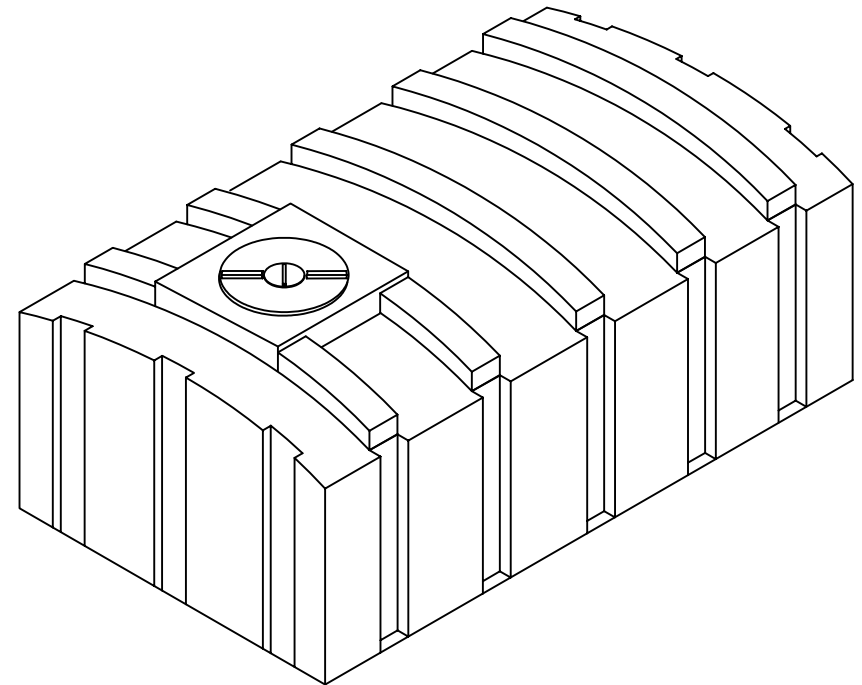


END VIEW

16"Ø THREADED POLY LID



TOP VIEW



NOTE:

FITTING SIZES, ORIENTATION & ELEVATIONS

TO BE SPECIFIED BY END USER



**Canwest Tanks &  
Ecological Systems Ltd.**

11975 Old Yale Road Tel.: (604) 580-3030  
Surrey, B.C. V3V 3X4 Fax: (604) 580-1171  
Canada E-Mail: canwest@direct.ca

This drawing is loaned "as is" for purpose of information only and is the sole property of Canwest Tanks & Ecological Systems Ltd.

MODEL No. RKW500

ABOVE GROUND  
LIQUID STORAGE TANK

Dwg. No.

Scale:

N.T.S.

Date:

JAN./04

Drawn:

Leif J.

Rev.

of