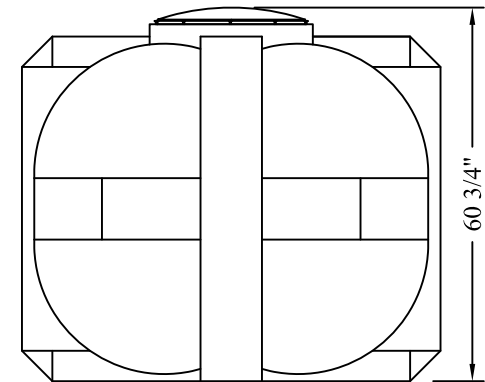
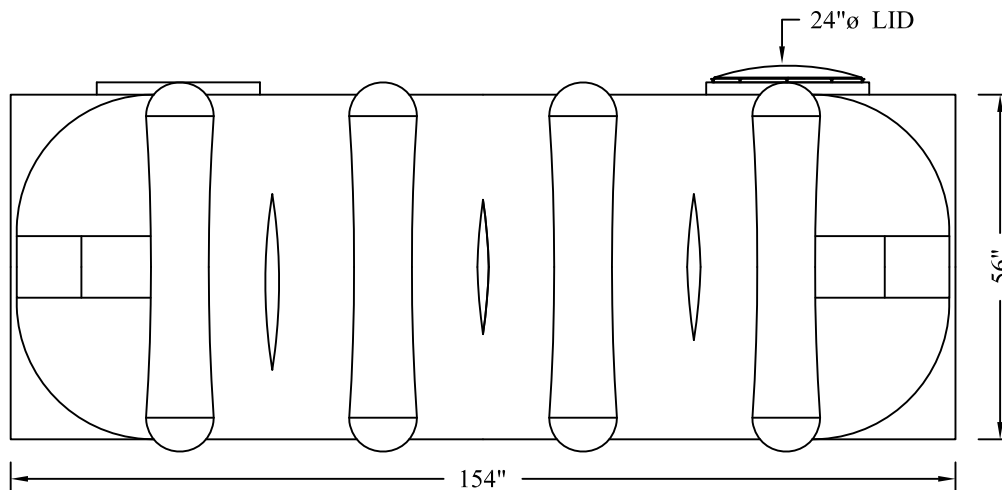


TOP VIEW




END VIEW



SIDE VIEW

VOLUME CAP.:  
 1550 I.GALS  
 1860 US.GALS  
 7046 L.

NOTES:	<u>PROJECT</u>		
	MODEL No. RKC1550LP UNDER GROUND CISTERN/HOLDING TANK		
TOTAL VOLUME	 <b>CANWEST TANKS &amp; ECOLOGICAL SYSTEMS LTD.</b> <a href="http://www.canwest-tanks.com">www.canwest-tanks.com</a>		
LITERS:			
I.GALS:			
LENGHT	REV No.	SCALE:	SHEET OF
METRIC (mm):			
IMPERIAL:			
DATE:			DWG REF.
DRAWN BY: L J			