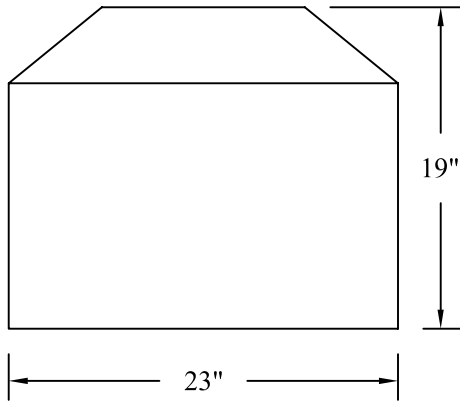
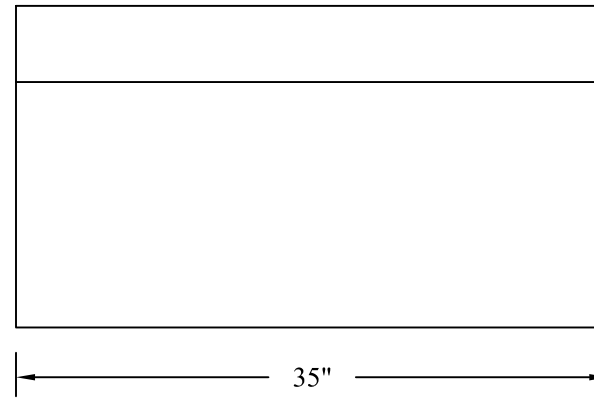


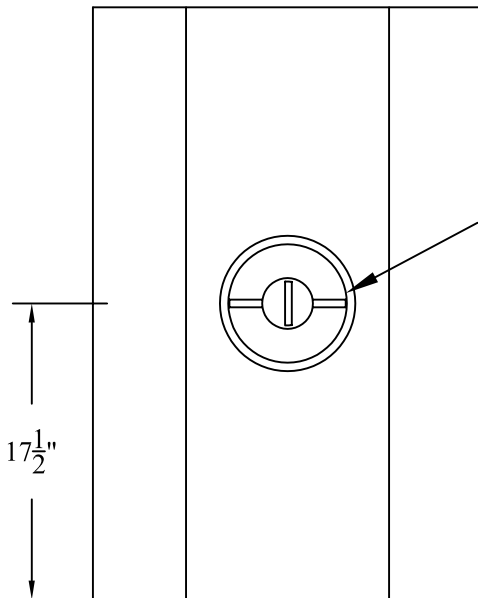
HDLPE POLYETHYLENE STORAGE TANK
 LOAF TANK MODEL No. RK50-L/B



END ELEVATION



SIDE ELEVATION

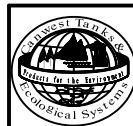
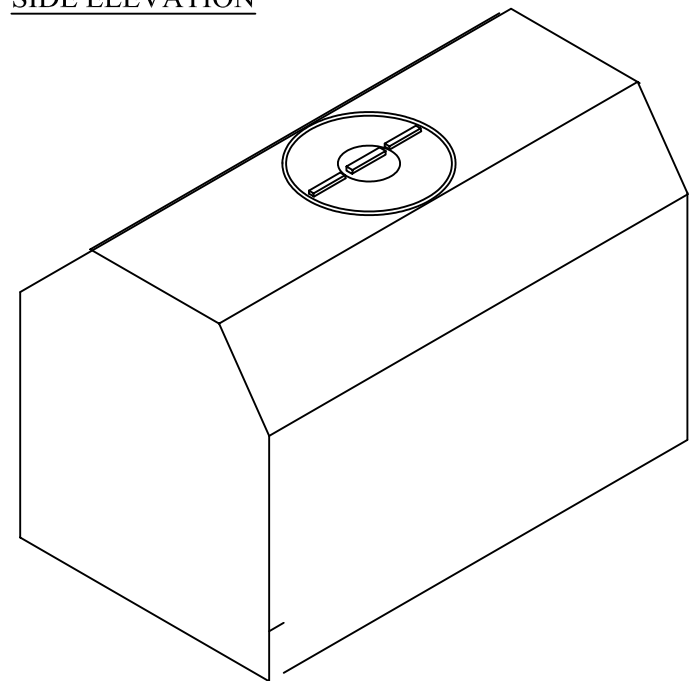


PLAN

8"Ø THREADED LID
 VENTED

CAPACITY:

IMP. GAL.- 50
 US. GAL.- 60
 LITRES.- 227



**Canwest Tanks &
 Ecological Systems Ltd.**

11975 Old Yale Road Tel.: (604) 580-3030
 Surrey, B.C. V3V 3X4 Fax: (604) 580-1171
 Canada E-Mail: canwest@direct.ca

This drawing is loaned "as is" for purpose of information only and is the sole property of Canwest Tanks & Ecological Systems Ltd.

HDLPE POLYETHYLENE
 STORAGE TANK
 MODEL RK50, LOAF TANK

Dwg. No.		Drawn: Leif J.	
Scale: 1"=1'	Date:	Rev.	of