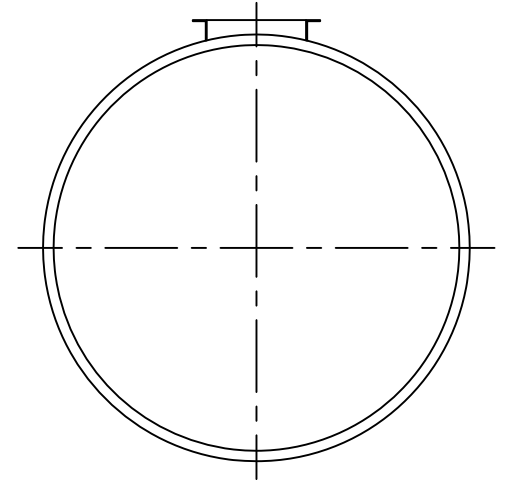
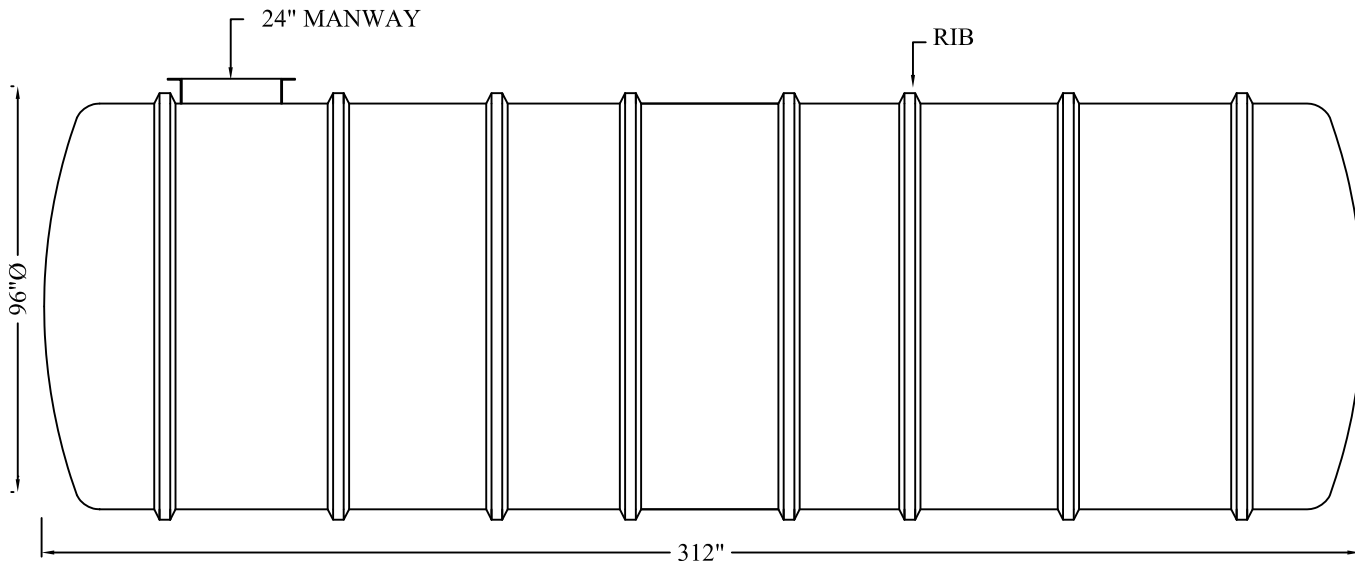


TOP VIEW




END VIEW



ELEVATION VIEW

MODEL FRP8000-8H  
 FILAMENT WOUND  
 FIBERGLASS TANK  
 VOL. CAP. 8,000 I.GALS  
 9,600 US GALS  
 36,368 LITERS

NOTES:	PROJECT			
TOTAL VOLUME LITERS: I.GALS:				
LENGTH METRIC (mm): IMPERIAL:	 <b>CANWEST TANKS &amp;          ECOLOGICAL SYSTEMS LTD.</b> www.canwest-tanks.com			
DATE: DRAWN BY: L J	REV No.	SCALE:	SHEET OF	DWG REF.