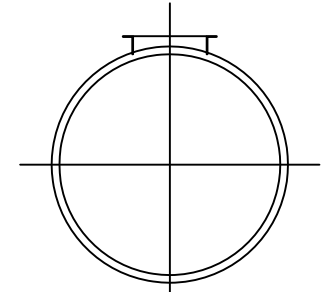
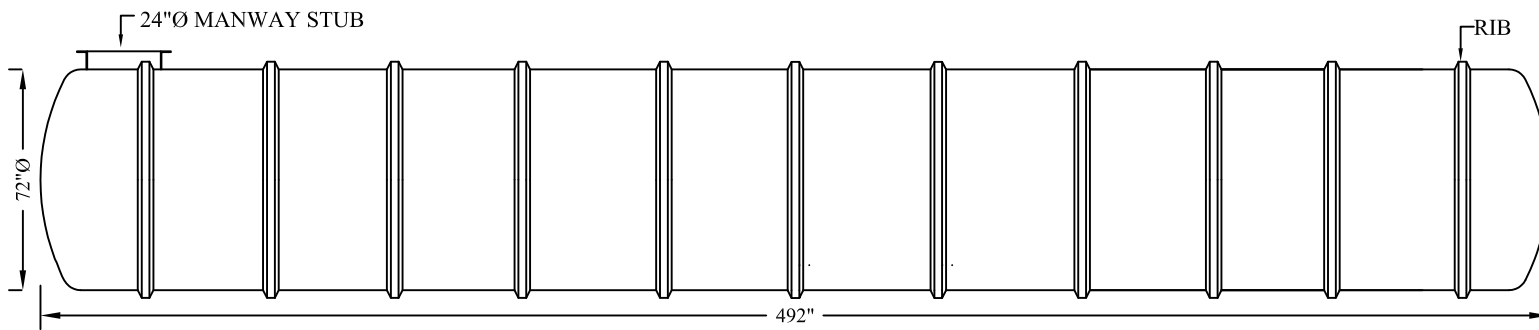


TOP VIEW




END VIEW



ELEVATION VIEW

MODEL FRP7000-6H

FILAMENT WOUND FIBERGLASS TANK  
 VOL. CAP. 7,000 I.GALS  
 8,400 US GALS  
 31,822 LITERS

|              |  |        |       |          |
|--------------|--|--------|-------|----------|
| NOTES:       | <u>PROJECT</u>   |        |       |          |
| TOTAL VOLUME |  <b>CANWEST TANKS &amp; ECOLOGICAL SYSTEMS LTD.</b><br><a href="http://www.canwest-tanks.com">www.canwest-tanks.com</a> |        |       |          |
| LITERS:      |  |        |       |          |
| I.GALS:      |  |        |       |          |
| LENGTH       | REV No.  | SCALE: | SHEET | OF       |
| METRIC (mm): |  |        |       |          |
| IMPERIAL:    |  |        |       |          |
| DATE:        |  |        |       | DWG REF. |
| DRAWN BY:    |  |        |       |          |
| L J          |  |        |       |          |