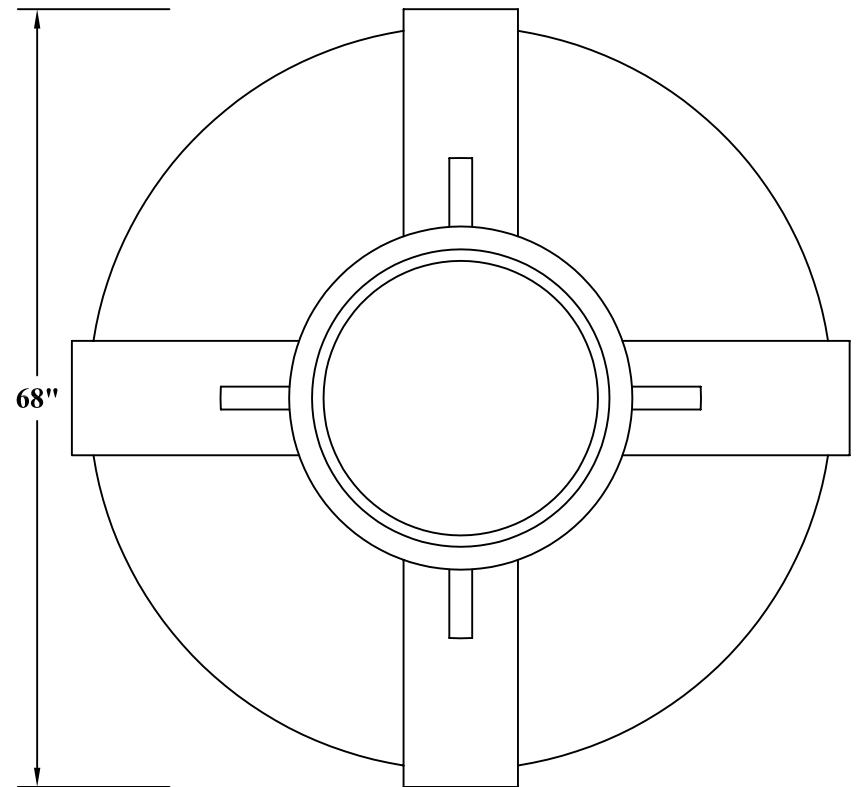
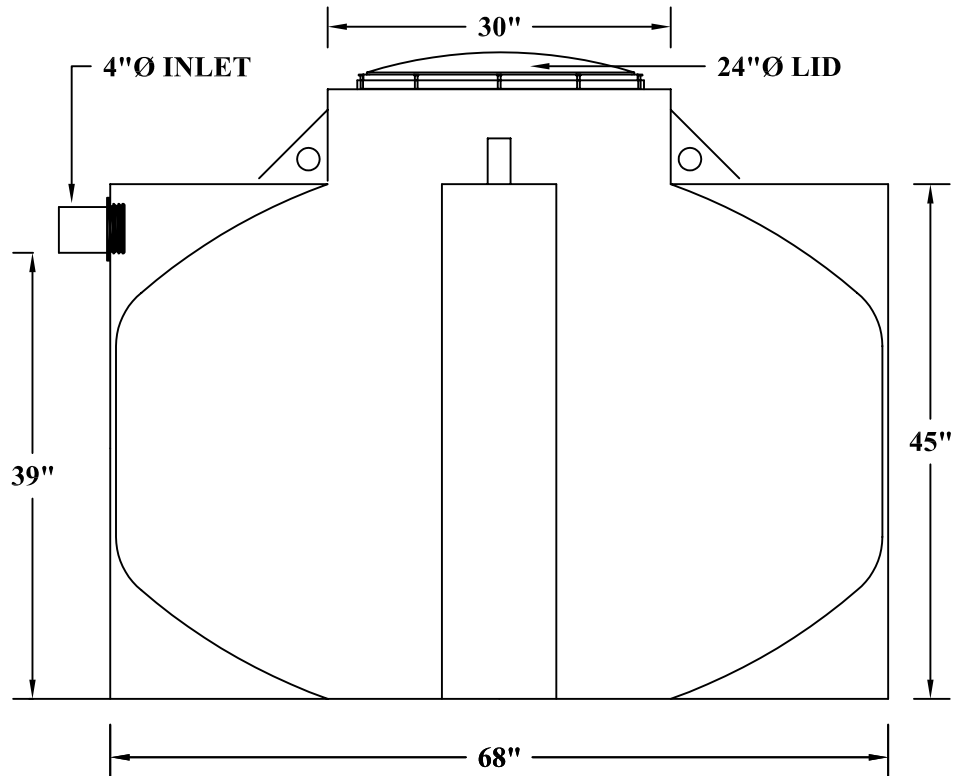


HDPLE POLYETHYLENE PUMP CHAMBER

MODEL No. RKP500



CAPACITY

IMP.GAL. = 500

U.S.GAL. = 600

LTR. = 2,273



Canwest Tanks & Ecological Systems Ltd.

11975 Old Yale Road Tel.: (604) 580-3030
 Surrey, B.C. V3V 3X4 Fax: (604) 580-1171
 Canada E-Mail: canwest@direct.ca

This drawing is loaned "as is" for purpose of information only and is the sole property of Canwest Tanks & Ecological Systems Ltd.

Model No. RKP500
500 I gals Pump chamber

Dwg. No.		Drawn: Leif J.	Rev.	of
Scale: N.T.S.	Date:			