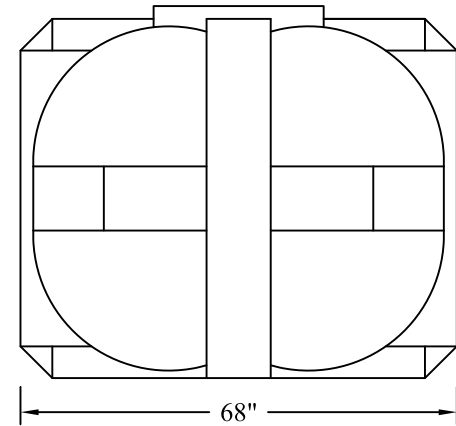
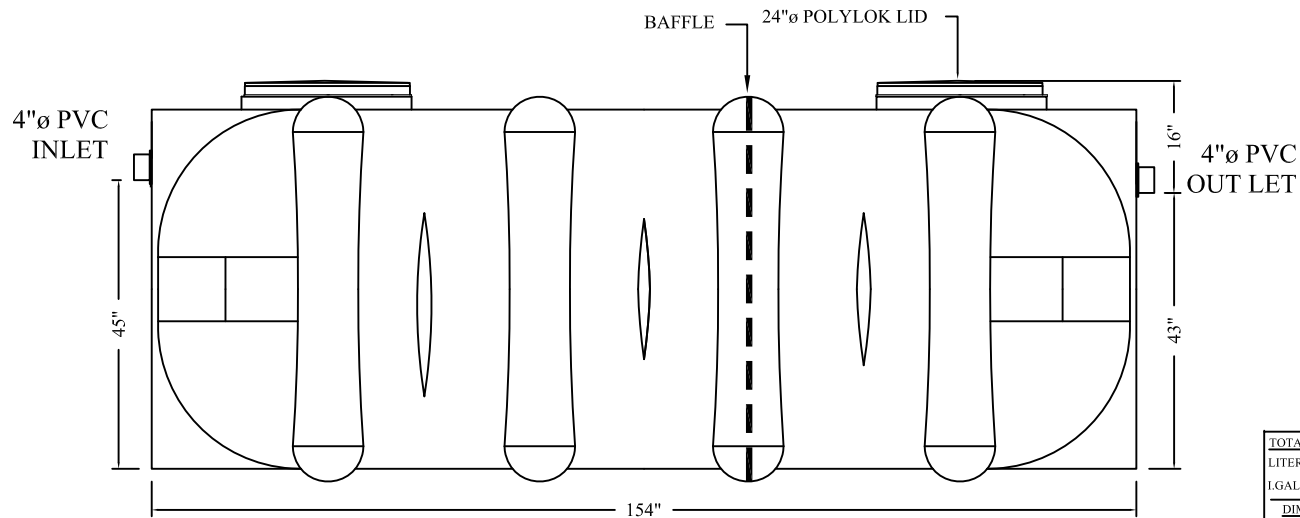


TOP VIEW




END VIEW



SIDE VIEW

MODEL No. RKS1350LP/2  
 VOL. CAP. - 1,350 IGALS  
 1,620 USGALS  
 6,137 LITERS

TOTAL VOLUME LITERS:		PROJECT	
IGALS:		MODEL No. RKS1350LP/2 TWO CHAMBER SEPTIC TANK	
DIMENSIONS:			
METRIC <input type="checkbox"/> IMP. <input type="checkbox"/>			
DIA. L. H.		 <b>CANWEST TANKS &amp;          ECOLOGICAL SYSTEMS LTD.</b> www.canwest-tanks.com Tel: 604.580.3030	
DRY WEIGHT:			
DATE:		REV No.	SCALE:
DRAWN BY: L J		DWG REF.:	SHEET OF