

HDLPE POLYETHYLENE STORAGE TANK

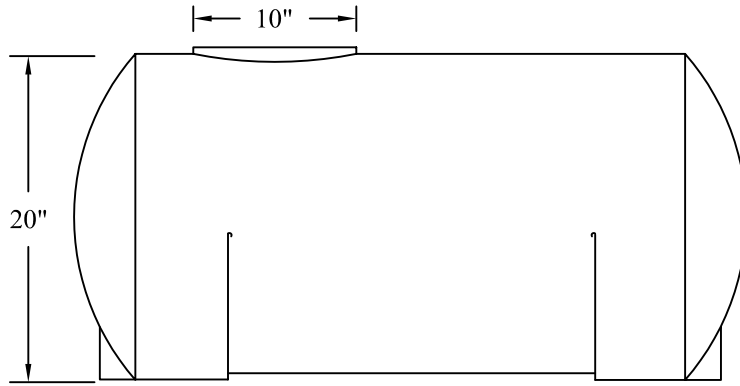
MODEL No. RKL40

CAPACITY:

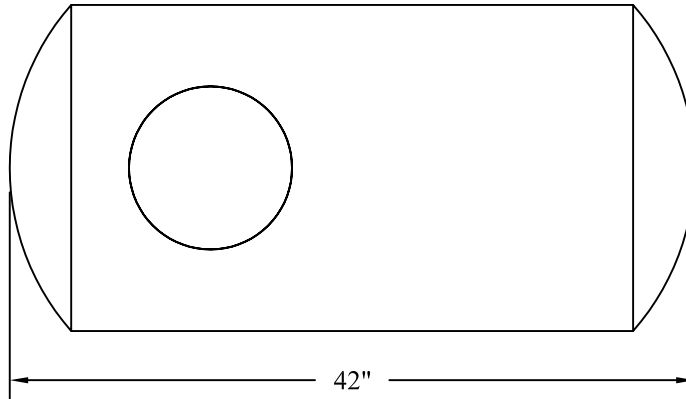
IMP. GAL.= 40

US.GAL.= 48

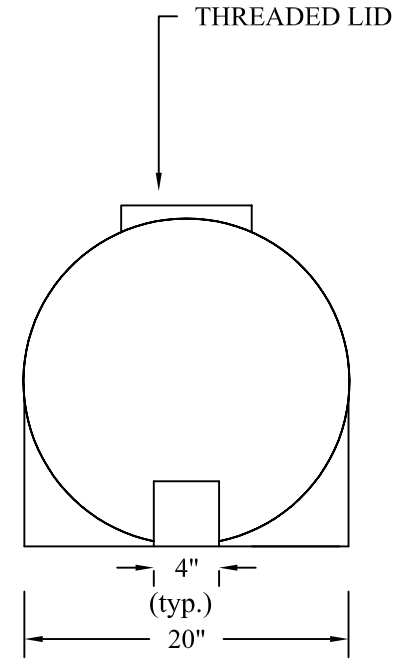
LITRES.= 182



ELEVATION



PLAN VIEW



END VIEW

NOTE:  
FITTINGS TO BE PLACED  
AS SPECIFIED BY END USER



**Canwest Tanks &  
Ecological Systems Ltd.**

11975 Old Yale Road Tel.: (604) 580-3030  
Surrey, B.C. V3V 3X4 Fax: (604) 580-1171  
Canada E-Mail: canwest@direct.ca

This drawing is loaned "as is" for purpose of information only and is the sole property of Canwest Tanks & Ecological Systems Ltd.

HDLPE POLYETHYLENE  
STORAGE / LIQUID TRANSPORT TANK

MODEL No. RKL40

Dwg. No.

Scale:  
N.T.S.

Date:

Drawn:  
Leif J.

Rev.

of