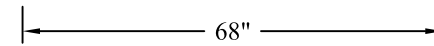
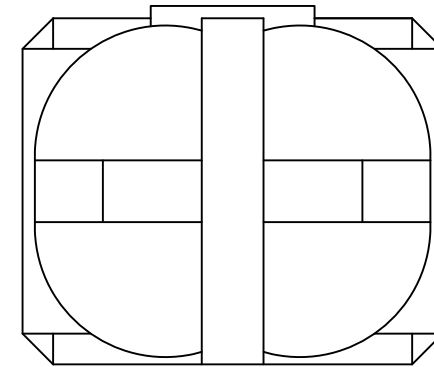
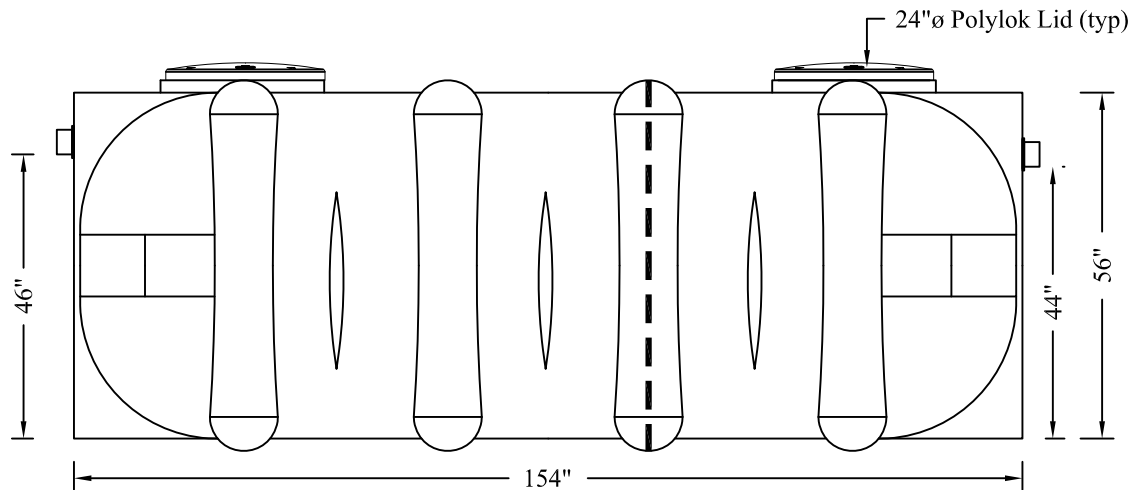


TOP VIEW



END VIEW



SIDE VIEW

24"ø Polylok Lid (typ)

MOD. RKS1400LP/2
TWO CHAMBER HDLPE SEPTIC TANK

WORKING CAP. 1,400 I.GALS
TOTAL CAP. 1,550 I.GALS

NOTES:	PROJECT			
	MODEL No. RKS1400LP/2 LOW PROFILE DUAL CHAMBER SEPTIC TANK			
TOTAL VOLUME				
LITERS:				
I.GALS:				
LENGTH				
METRIC (mm):				
IMPERIAL:				
DATE:				
DRAWN BY:	REV No.	SCALE:	SHEET OF	DWG REF.
L J				



**CANWEST TANKS &
ECOLOGICAL SYSTEMS LTD.**
www.canwest-tanks.com