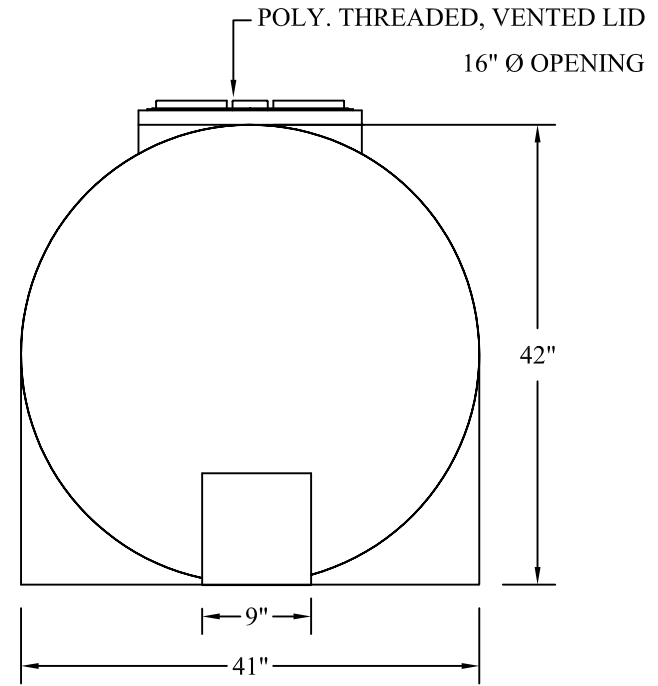
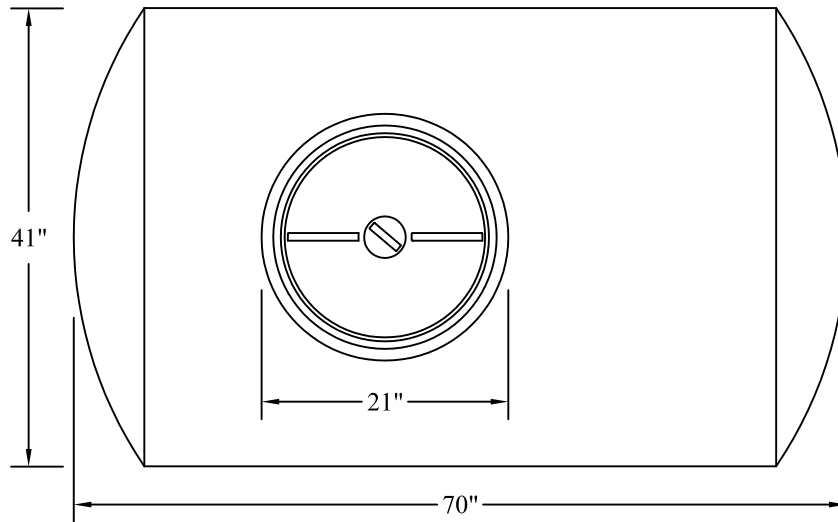


SIDE VIEW



END VIEW



PLAN VIEW

HDLPE POLYETHYLENE STORAGE TANK

MODEL RKLT300

CAPACITY:

IMP. GAL.= 300

US.GAL.= 360

LITRES.= 1,364

NOTE:

FITTINGS, SIZE, MATERIAL, ORIENTATION & ELEVATION
AS PER SPECIFICATIONS



**Canwest Tanks &
Ecological Systems Ltd.**

11975 Old Yale Road Tel.: (604) 580-3030
Surrey, B.C. V3V 3X4 Fax: (604) 580-1171
Canada E-Mail: canwest@direct.ca

This drawing is loaned "as is" for purpose of information only and is the sole property of Canwest Tanks & Ecological Systems Ltd.

HDLPE POLYETHYLENE
STORAGE / LIQUID
TRANSPORT TANK

MODEL No. RKLT300

Dwg. No.

N.T.S.

Scale:

Date:

Drawn:

Leif J.

Rev.

of