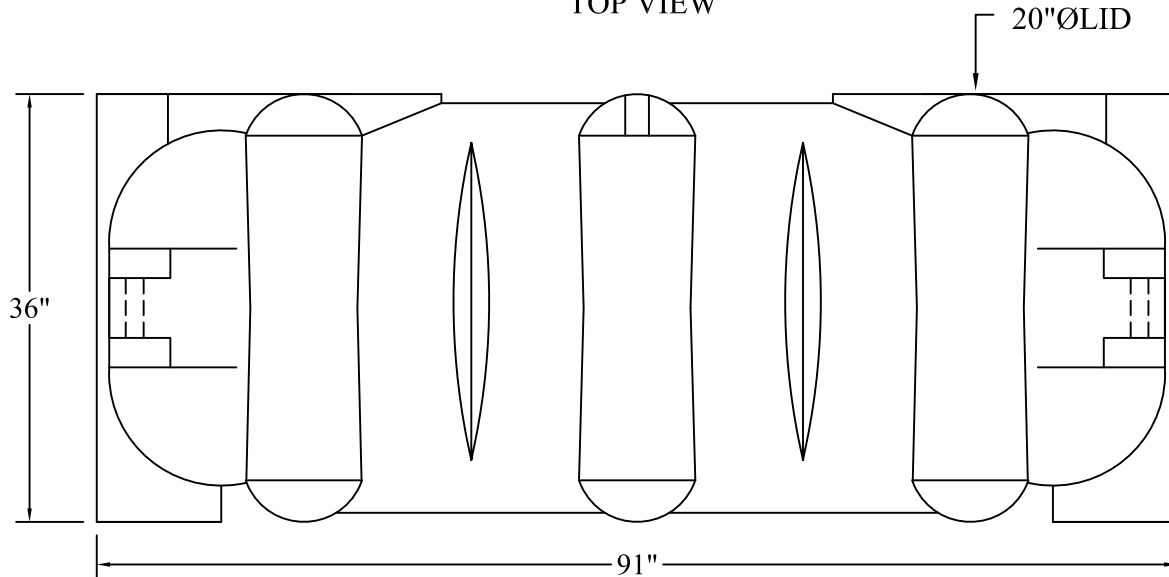
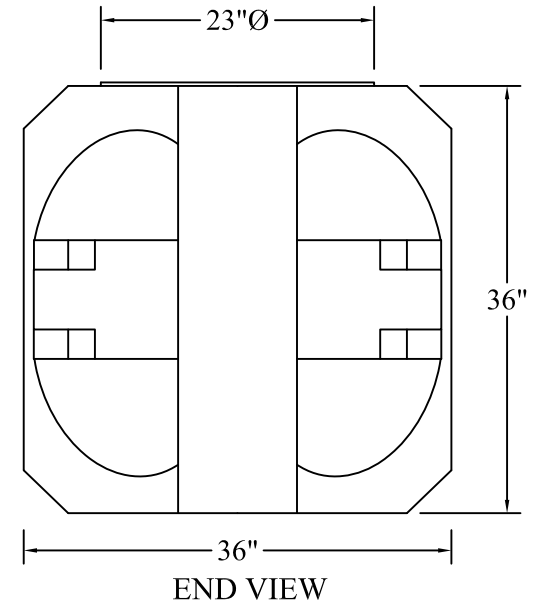



TOP VIEW



ELEVATION VIEW

MODEL RKP300LP
 LOW PROFILE U.G. PUMP CHAMBER
 VOL. CAP. - 300 I.GALS
 MADE FROM HDLPE POLYETHYLNE

NOTES:	PROJECT			
TOTAL VOLUME LITERS: I.GALS:				
LENGTH METRIC (mm): IMPERIAL:	 CANWEST TANKS & ECOLOGICAL SYSTEMS LTD. www.canwest-tanks.com			
DATE: DRAWN BY: L J	REV No.	SCALE:	SHEET OF	DWG REF.