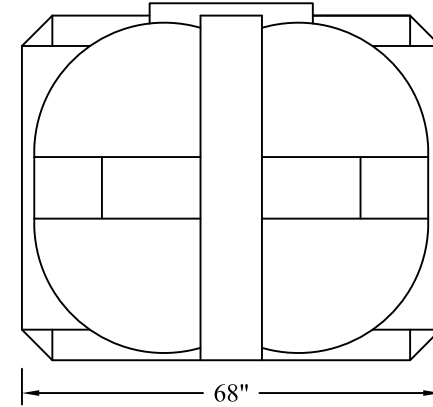
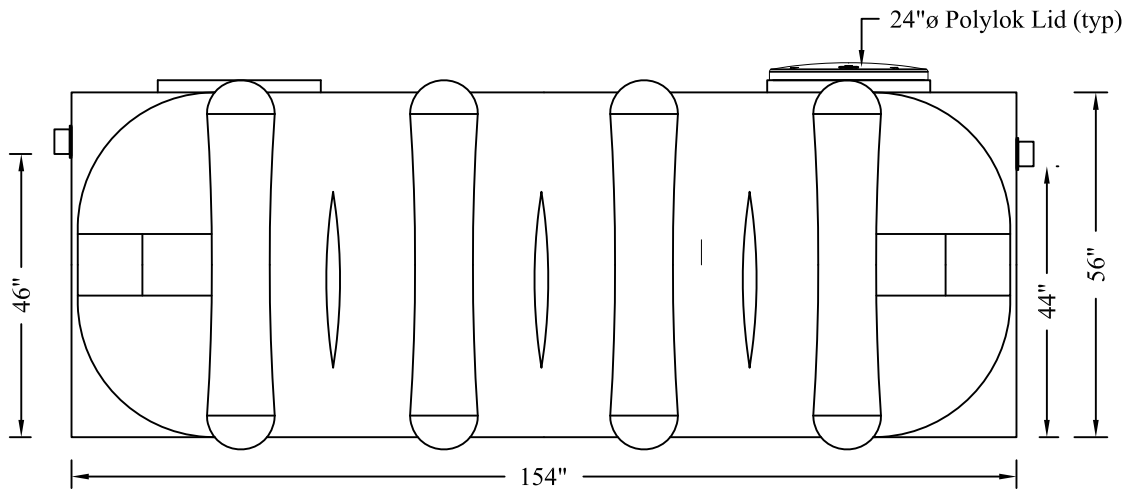


TOP VIEW




END VIEW



SIDE VIEW

MOD. RKS1400LP  
 SINGLE CHAMBER HDLPE SEPTIC TANK  
 WORKING CAP. 1,400 I.GALS  
 TOTAL CAP. 1,550 I.GALS

NOTES:	PROJECT		
	MODEL No. RKC1400LP SINGLE CHAMBER SEPTIC TANK		
TOTAL VOLUME	 <b>CANWEST TANKS &amp; ECOLOGICAL SYSTEMS LTD.</b> <a href="http://www.canwest-tanks.com">www.canwest-tanks.com</a>		
LITERS:			
I.GALS:			
LENGTH	REV No.	SCALE:	SHEET OF
METRIC (mm):			
IMPERIAL:			
DATE:			DWG REF.
DRAWN BY: L J			