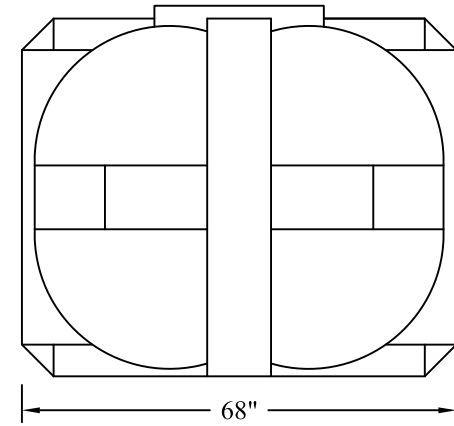
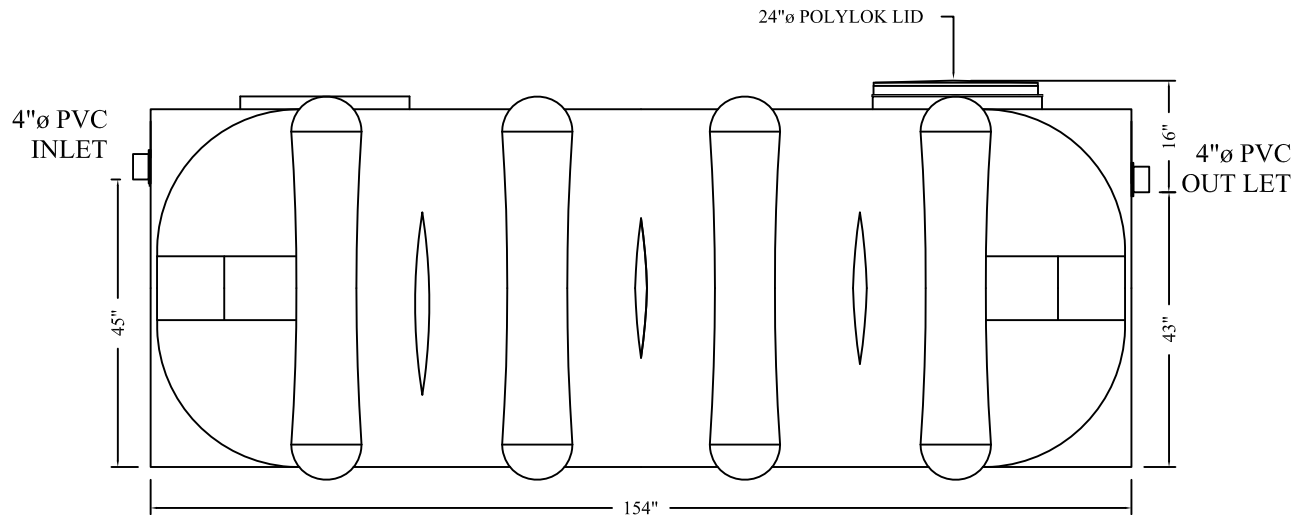


TOP VIEW




END VIEW



SIDE VIEW

MODEL No. RKS1350LP  
 VOL. CAP. - 1,350 IGALS  
 1,620 USGALS  
 6,137 LITERS

NOTES:	<u>PROJECT</u>			
	MODEL No. RKS1350LP SINGLE CHAMBER LOW PROFILE SEPTIC TANK			
TOTAL VOLUME LITERS:	 <b>CANWEST TANKS &amp; ECOLOGICAL SYSTEMS LTD.</b> <a href="http://www.canwest-tanks.com">www.canwest-tanks.com</a>			
I.GALS:				
LENGTH METRIC (mm):	REV No.	SCALE:	SHEET	OF
IMPERIAL:				DWG REF.
DATE:				
DRAWN BY: L J				