

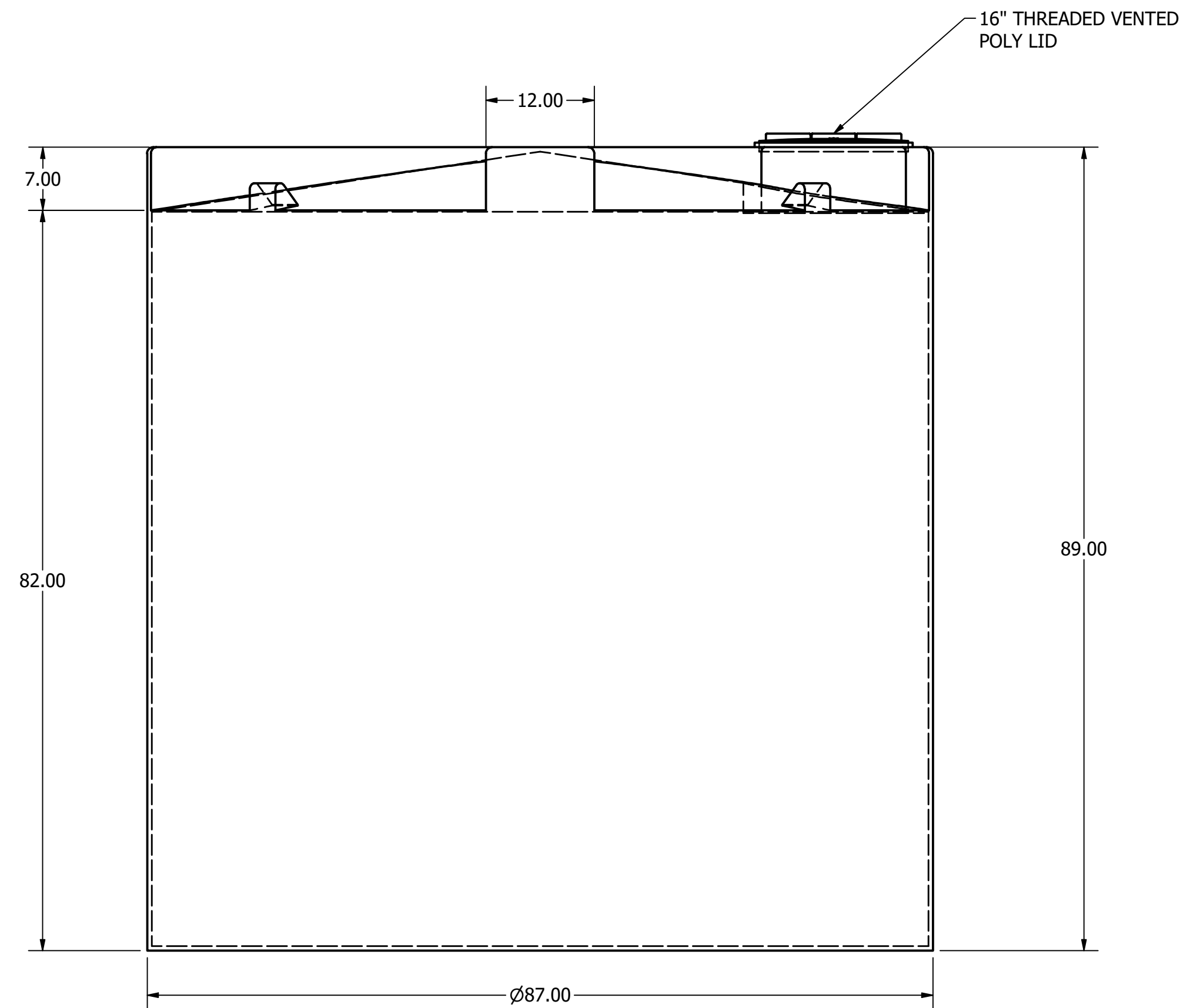
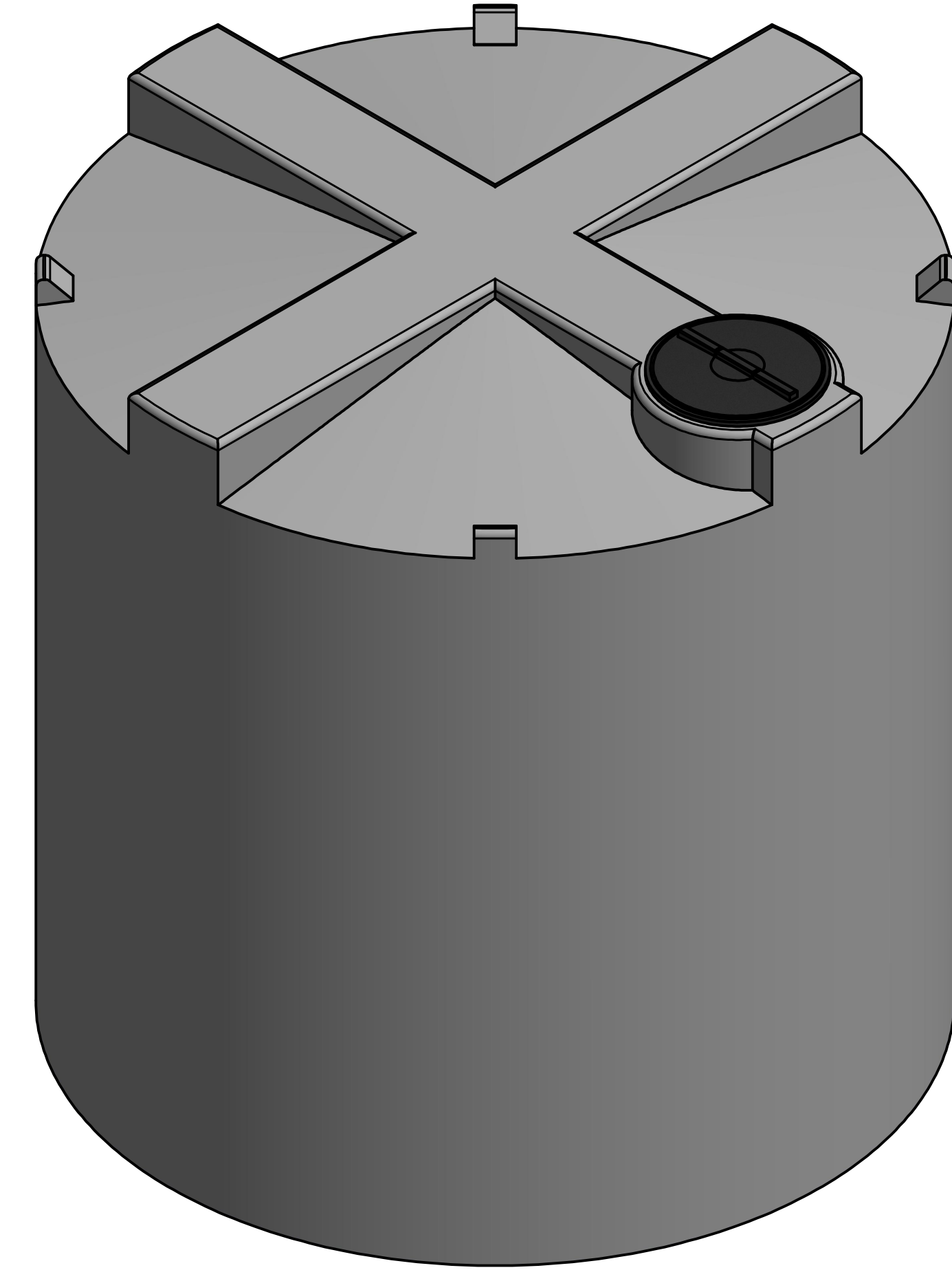
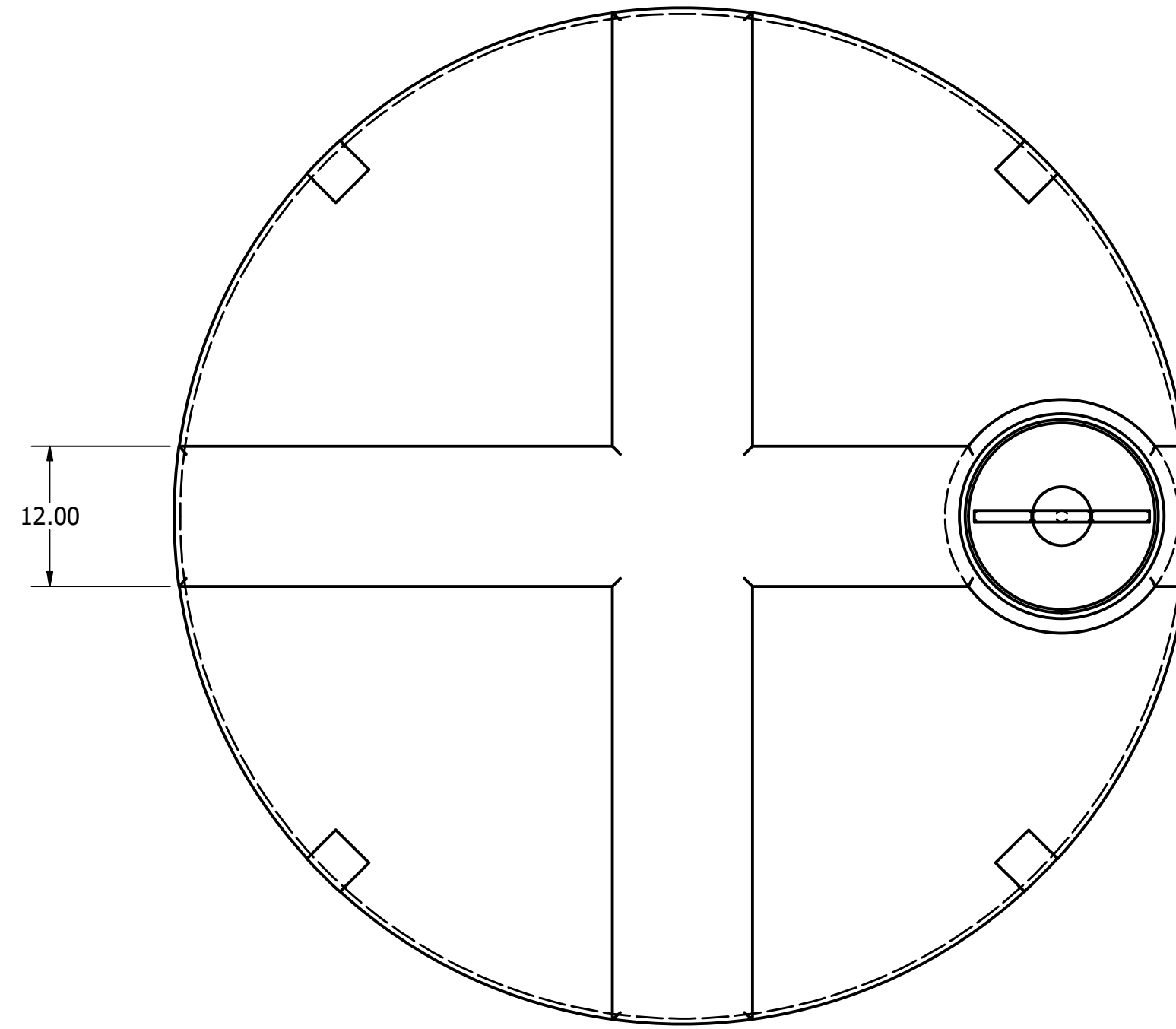
POLYETHYLENE HDLPE STORAGE TANK
MODEL No. RK1760

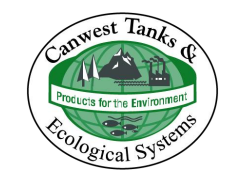
CAPACITY

IMP GALLON : 1760
 US. GALLONS : 2113
 LITRES : 8000

NOTE:

FITTINGS TO BE PLACED AS REQUIRED



DRAWN KEIR PARSONS	11/1/2021	 CANWEST TANKS AND ECOLOGICAL SYSTEMS
		TITLE RK1760
		SCALE 0.08 : 1
		SHEET 1 OF 1
		REVISION: