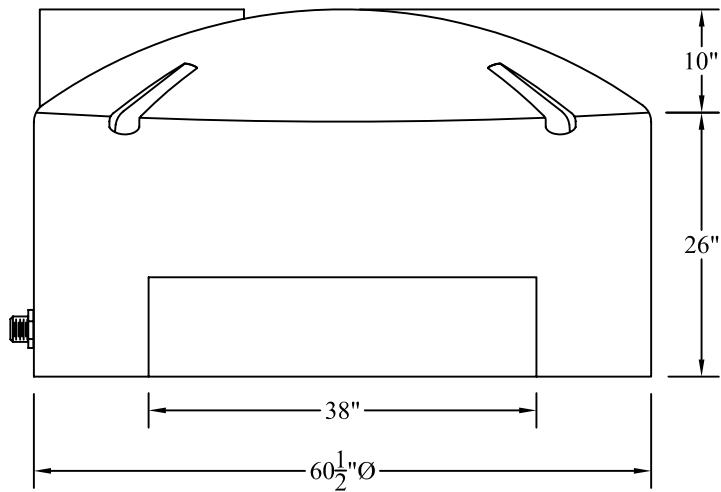
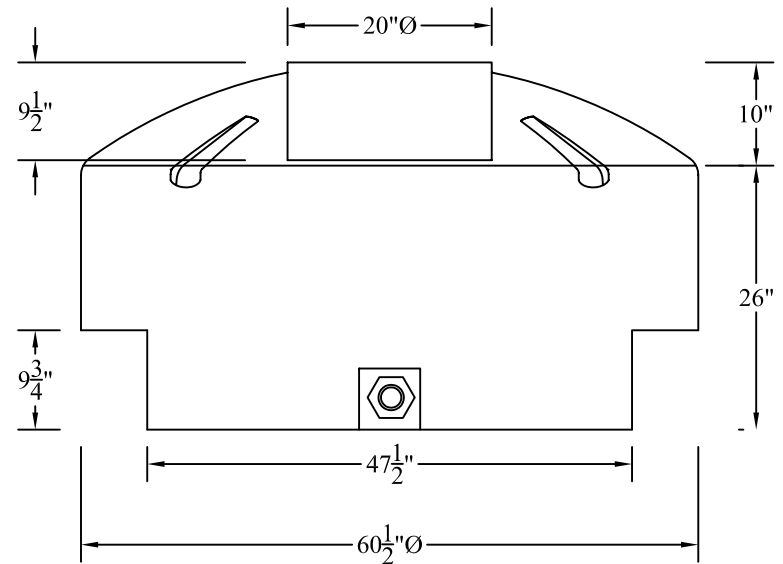


PLAN VIEW



SIDE VIEW



END VIEW



**Canwest Tanks &  
Ecological Systems Ltd.**

11975 Old Yale Road Tel.: (604) 580-3030  
Surrey, B.C. V3V 3X4 Fax: (604) 580-1171  
Canada E-Mail: canwest@direct.ca

This drawing is loaned "as is" for purpose of information only and is the sole property of Canwest Tanks & Ecological Systems Ltd.

PICKUP TRUCK WATER TANK  
MODEL RKPT300  
300 IMP. GALS. - 1,364 LITERS

Dwg. No.

Scale:  
N.T.S.

Date:

Drawn:  
Leif J.

Rev.

of