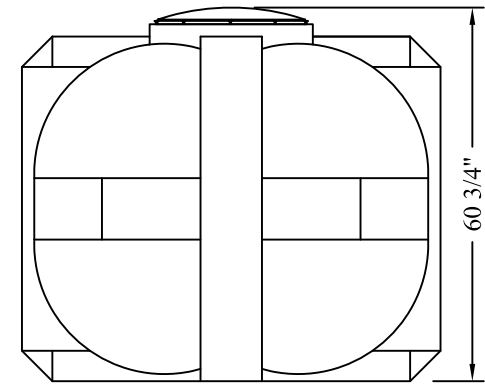
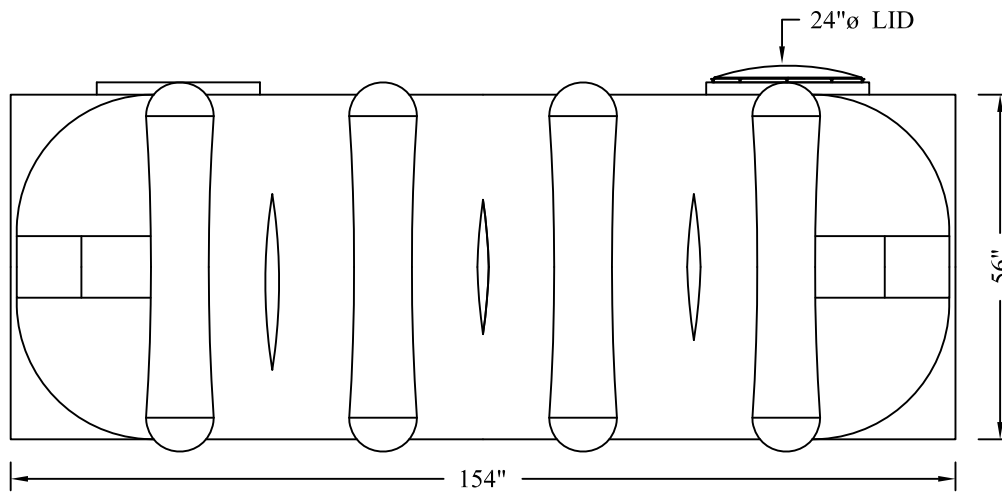


TOP VIEW




END VIEW



SIDE VIEW

MOD. # RKP1550LP

VOLUME CAP.:1550 I.GALS
1860 US.GALS
7046 L.

| | | | |
|------------------|--|--------|----------|
| NOTES: | <u>PROJECT</u> | | |
| | MODEL No. RKP1550LP LOW PROFILE PUMP CHAMBER | | |
| TOTAL VOLUME |  CANWEST TANKS & ECOLOGICAL SYSTEMS LTD. www.canwest-tanks.com | | |
| LITERS: | | | |
| I.GALS: | | | |
| LENGHT | REV No. | SCALE: | SHEET OF |
| METRIC (mm): | | | |
| IMPERIAL: | | | |
| DATE: | | | DWG REF. |
| DRAWN BY: L J | | | |