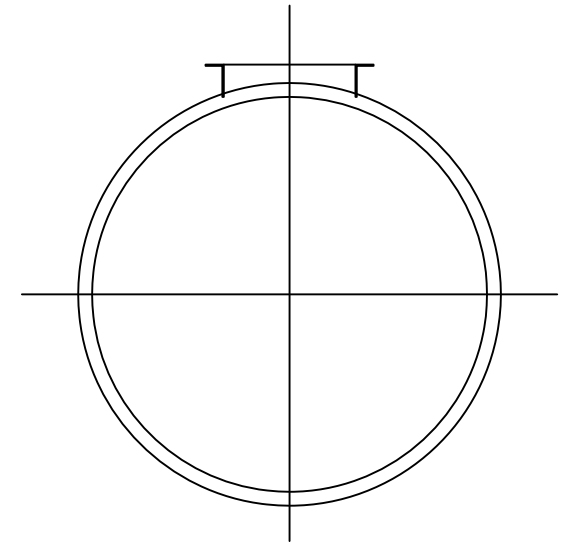
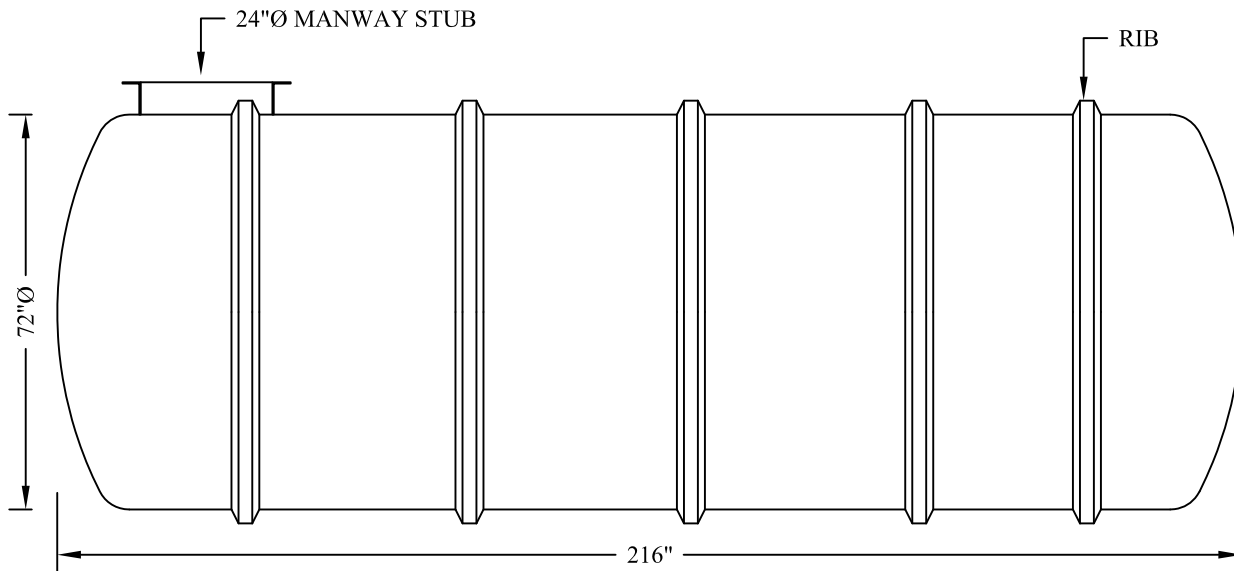


TOP VIEW



END VIEW



ELEVATION VIEW

MODEL FRP3000-6H

FILAMENT WOUND FIRBERGLASS TANK  
 VOL. CAP. 3,000 I.GALS  
 3,600 US GALS  
 13,638 LITERS

**Canwest Tanks & Ecological Systems Ltd.**

11975 Old Yale Road  
 Surrey, B.C.V3V 3X4  
 Canada



Tel: 604.580.3030  
 Fax: 604.580.1171  
 Email: canwest@direct.ca

DESCRIPTION

CLIENT:

PROJECT

DWG No.

PROJECT NUMBER

SCALE	ISSUE	D/M/Y	DWN BY:	APP.	REV.
			LEIF J.		