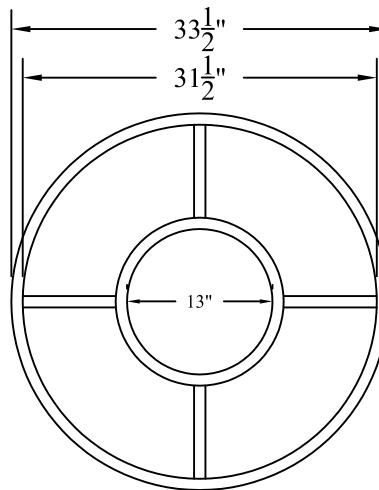
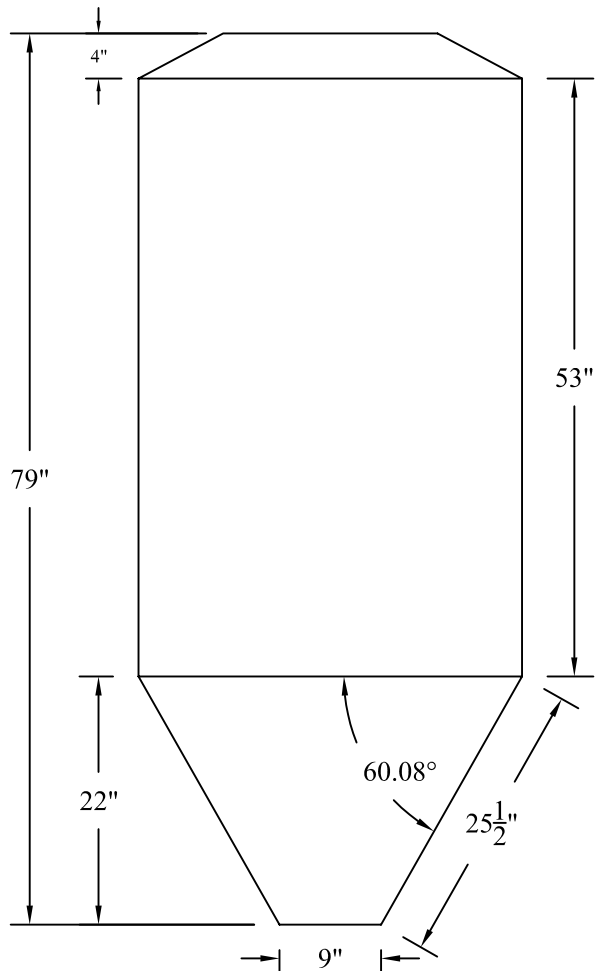


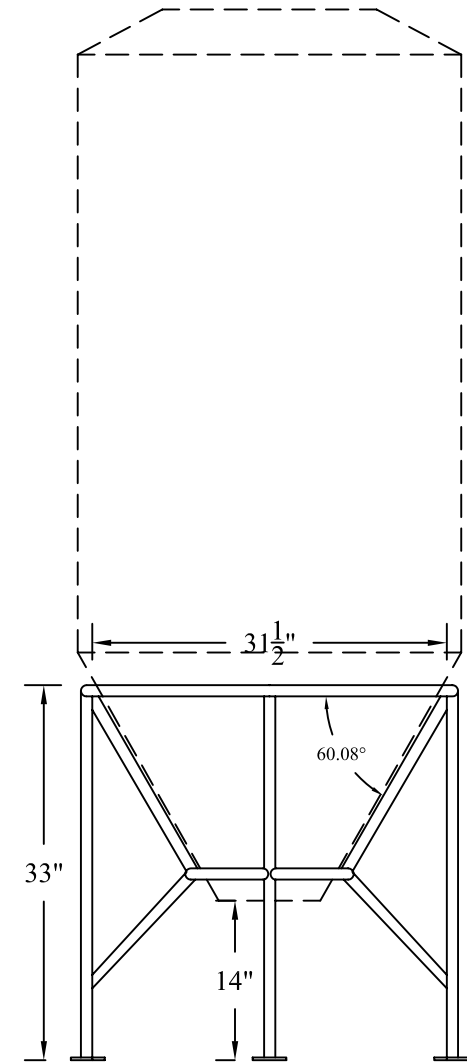
PLAN VIEW



STEEL STAND PLAN VIEW



ELEVATION



STEEL STAND ELEVATION

NOTE:

1. FITTINGS TO BE SPECIFIED - SIZE, ELEVATION & ORIENTATION.
2. STEEL STAND TO BE QUOTED SEPARATELY

CAPACITY:

IMP.GAL.= 225

US.GAL.= 270

LITRES =1,023



Canwest Tanks & Ecological Systems Ltd.

11975 Old Yale Road Tel.: (604) 580-3030
 Surrey, B.C. V3V 3X4 Fax: (604) 580-1171
 Canada E-Mail: canwest@direct.ca

This drawing is loaned "as is" for purpose of information only and is the sole property of Canwest Tanks & Ecological Systems Ltd.

POLYETHYLENE CONE BOTTOM TANK

MODEL No. RKCB225

Dwg. No.		Drawn:	
		Leif J.	
Scale:	Date:	Rev.	of