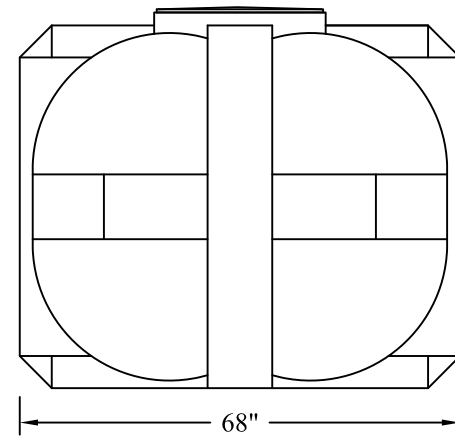
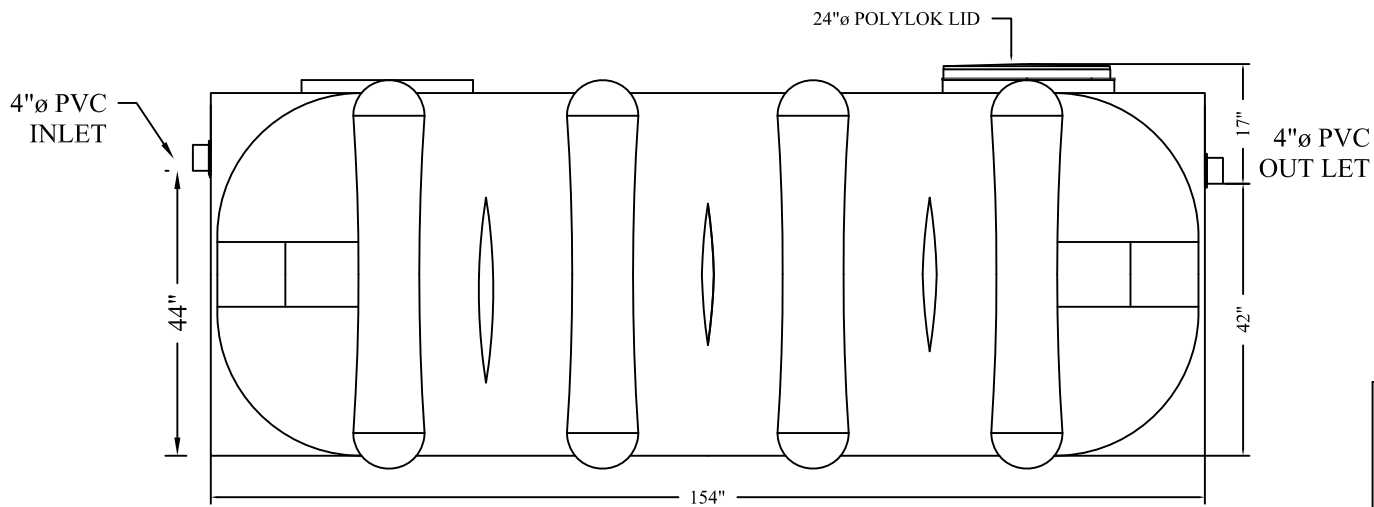


TOP VIEW




END VIEW



SIDE VIEW

MODEL No. RKS1250LP
 VOL. CAP. - 1,250 IGALS
 1,500USGALS
 5,682 LITERS

NOTES:	<u>PROJECT</u>			
	MODEL No. RKS1250LP SINGLE CHAMBER LOW PROFILE SEPTIC TANK			
TOTAL VOLUME LITERS:	 CANWEST TANKS & ECOLOGICAL SYSTEMS LTD. www.canwest-tanks.com			
I.GALS:				
LENGTH METRIC (mm):				
IMPERIAL:	DATE:	REV No.	SCALE:	SHEET OF
DRAWN BY: L J				DWG REF.