

HDPE POLYETHYLENE STORAGE TANK

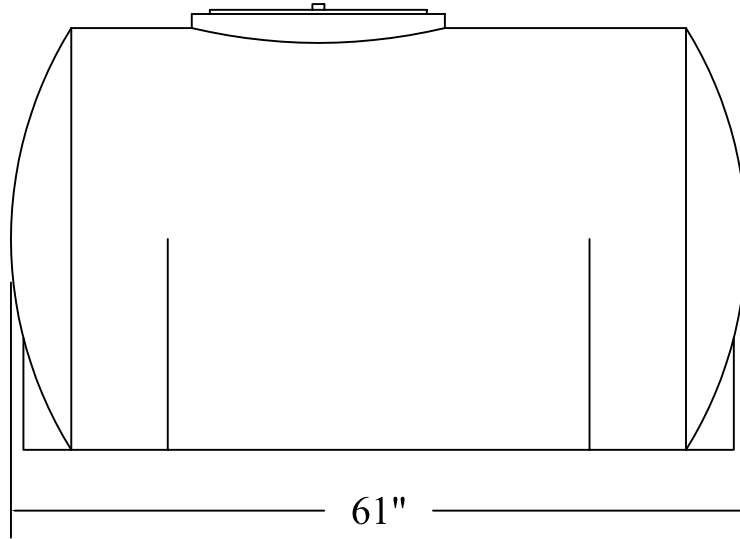
MODEL No. RKLT200

Capacity:

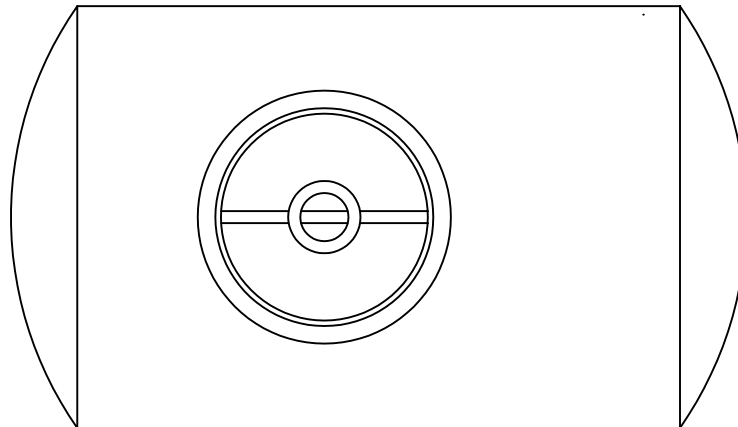
IMP.GAL.= 200

US.GAL.= 240

LITERS = 909

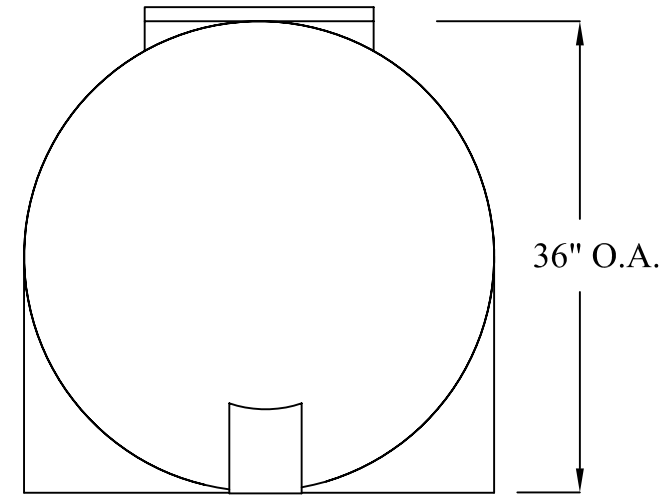


Side View



Plan View

16"Ø THREADED POLY LID



End View

NOTE:

FITTINGS, SIZE, MATERIAL, ORIENTATION & ELEVATION
AS PER SPECIFICATIONS



**Canwest Tanks &
Ecological Systems Ltd.**

11975 Old Yale Road Tel.: (604) 580-3030
Surrey, B.C. V3V 3X4 Fax: (604) 580-1171
Canada E-Mail: canwest@direct.ca

This drawing is loaned "as is" for purpose of information only and is the sole property of Canwest Tanks & Ecological Systems Ltd.

HDLPE POLYETHYLENE
STORAGE /
LIQUID TRANSPORT TANK
MODEL No. RKLT200

Dwg. No.

Drawn:

Leif J.

Scale:

Date:

Rev.

N.T.S.

AUG./03

of